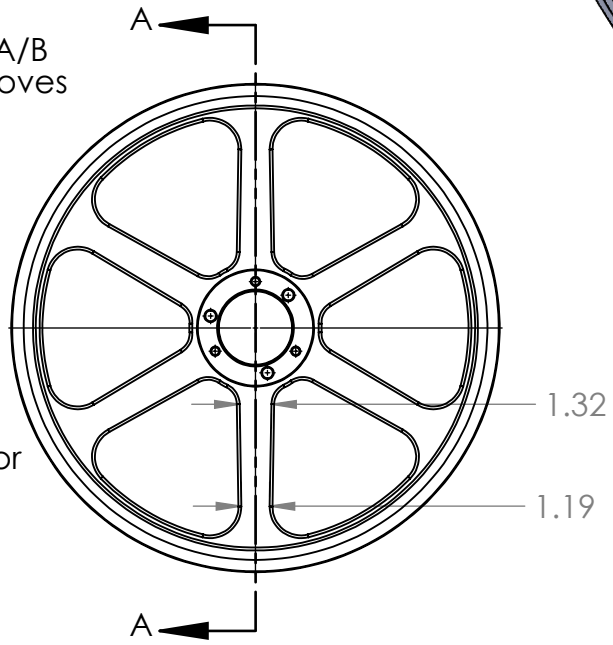
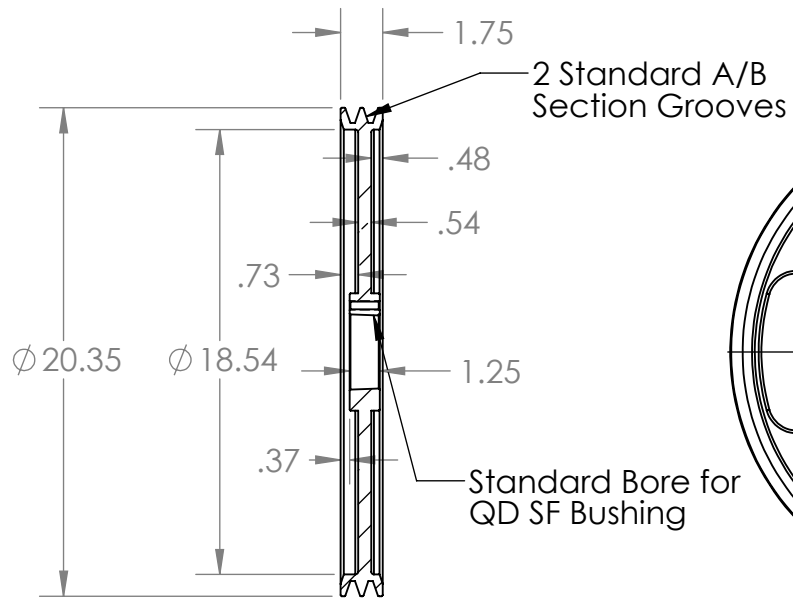
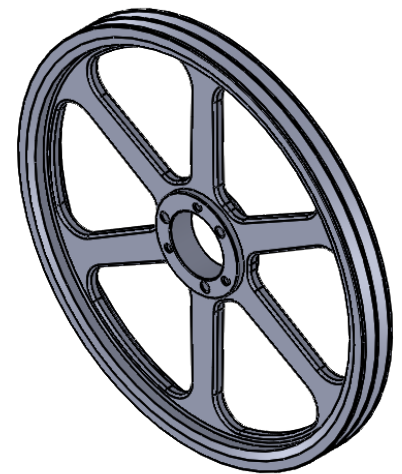


2

1

B

B



A

A

PROPRIETARY AND CONFIDENTIAL
 THE INFORMATION CONTAINED IN THIS DRAWING IS THE SOLE PROPERTY OF <INSERT COMPANY NAME HERE>. ANY REPRODUCTION IN PART OR AS A WHOLE WITHOUT THE WRITTEN PERMISSION OF <INSERT COMPANY NAME HERE> IS PROHIBITED.

			INTERPRET GEOMETRIC TOLERANCING PER:	NAME	DATE
			MATERIAL	DRAWN	EDG 08/23/18
			HT200 (Cast Iron)	CHECKED	
			FINISH	ENG APPR.	
			Grey Paint	MFG APPR.	
				Q.A.	
				COMMENTS:	
NEXT ASSY	USED ON				
APPLICATION			DO NOT SCALE DRAWING		



TITLE:		
2B200SF		
SIZE	DWG. NO.	REV
A	2B200SF	
SCALE: 1:8	WEIGHT:	SHEET 1 OF 1

2

1