

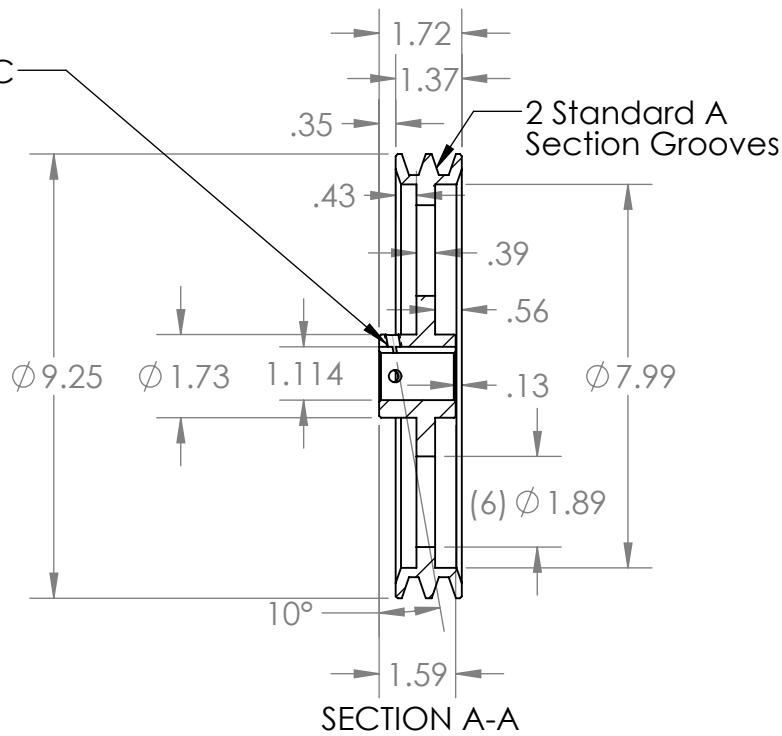
2

1

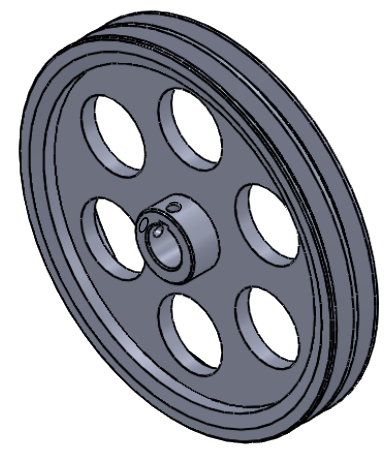
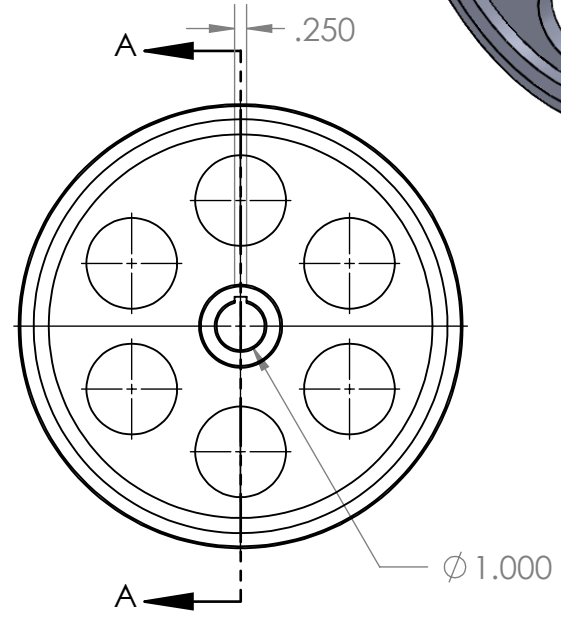
B

B

(2) 5/16-18 UNC



SECTION A-A



A

A

PROPRIETARY AND CONFIDENTIAL
 THE INFORMATION CONTAINED IN THIS DRAWING IS THE SOLE PROPERTY OF MASTERDRIVE, INC. ANY REPRODUCTION IN PART OR AS A WHOLE WITHOUT THE WRITTEN PERMISSION OF MASTERDRIVE, INC. IS PROHIBITED.

				NAME	DATE
				EDG	04/15/21
				CHECKED	
				ENG APPR.	
				MFG APPR.	
				Q.A.	
				COMMENTS:	
				INTERPRET GEOMETRIC TOLERANCING PER:	
				MATERIAL HT200 (Cast Iron)	
				FINISH Grey Paint	
				APPLICATION	
				DO NOT SCALE DRAWING	



TITLE:		
<h1>2AK94-1</h1>		
SIZE	DWG. NO.	REV
A	2AK94-1.000	
SCALE: 1:4	WEIGHT:	SHEET 1 OF 1

2

1