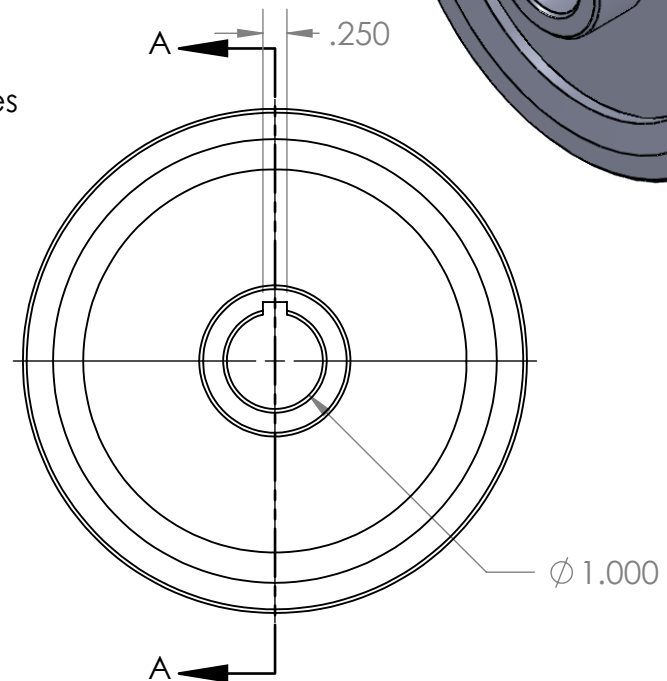
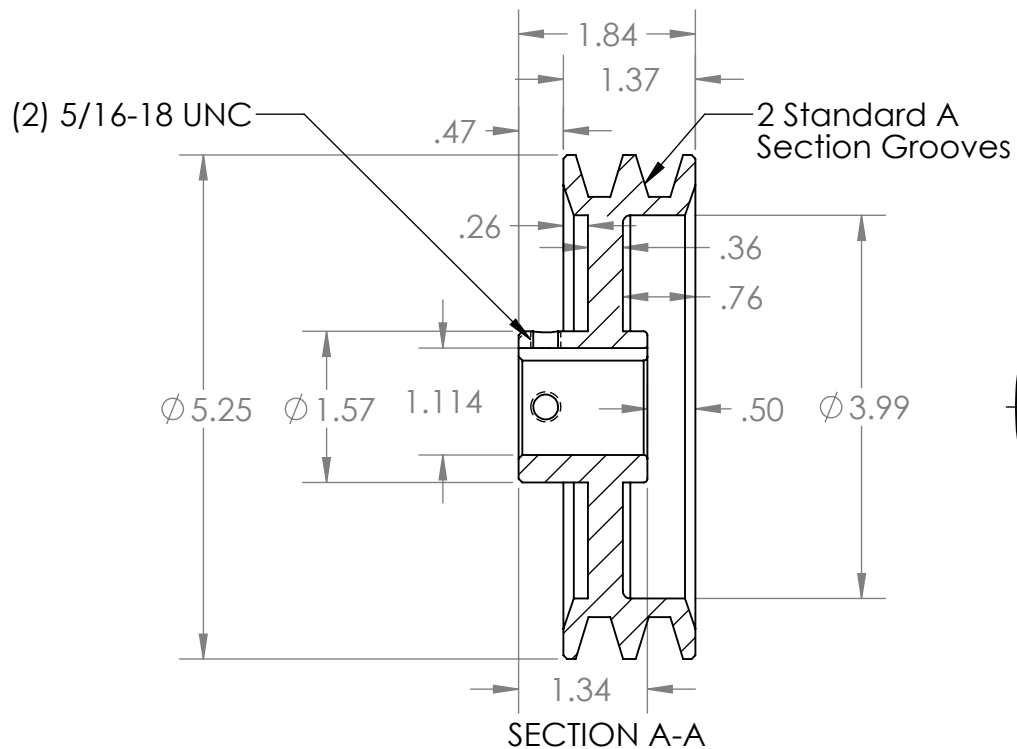


B



MASTERDRIVE[®]
POWER TRANSMISSION PRODUCTS

	NAME	DATE
DRAWN	EDG	04/13/21
CHECKED		
ENG APPR.		
MFG APPR.		
Q.A.		
COMMENTS:		

TITLE:

2AK54-1

PROPRIETARY AND CONFIDENTIAL
THE INFORMATION CONTAINED IN THIS DRAWING IS THE SOLE PROPERTY OF MASTERDRIVE, INC. ANY REPRODUCTION IN PART OR AS A WHOLE WITHOUT THE WRITTEN PERMISSION OF MASTERDRIVE, INC. IS PROHIBITED.

NEXT ASSY

USED ON

INTERPRET GEOMETRIC TOLERANCING PER:

MATERIAL
HT200 (Cast Iron)FINISH
Grey Paint

APPLICATION

DO NOT SCALE DRAWING

SIZE

DWG. NO.

REV

A

2AK54-1.000

SCALE: 1:2

WEIGHT:

SHEET 1 OF 1

2

1

B

A