

B

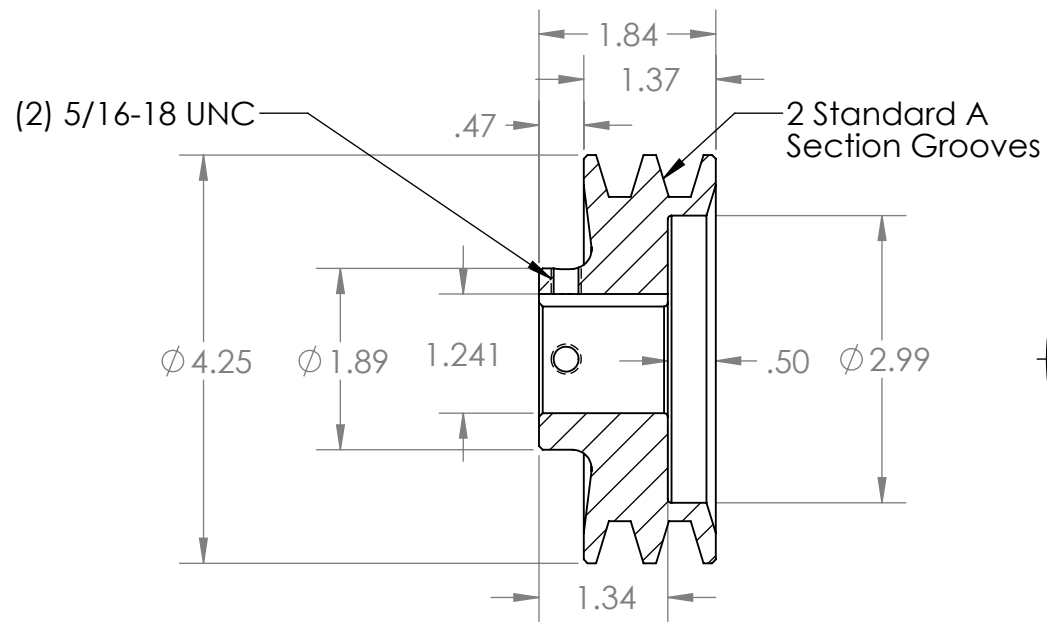
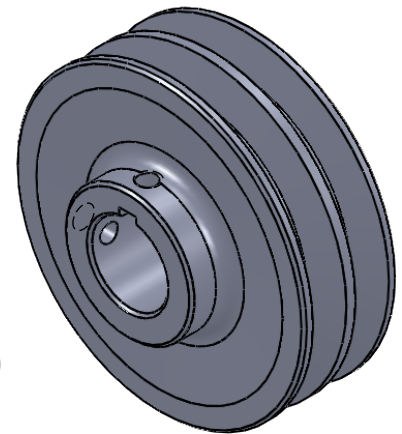
A

2

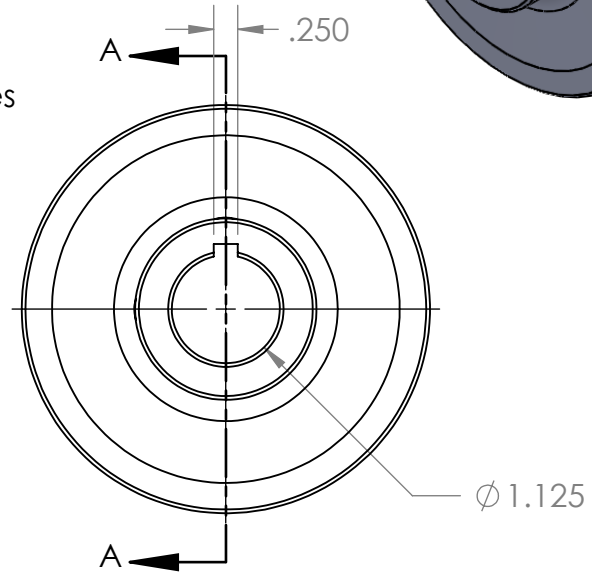
1

B

A



SECTION A-A



<p>PROPRIETARY AND CONFIDENTIAL THE INFORMATION CONTAINED IN THIS DRAWING IS THE SOLE PROPERTY OF MASTERDRIVE, INC. ANY REPRODUCTION IN PART OR AS A WHOLE WITHOUT THE WRITTEN PERMISSION OF MASTERDRIVE, INC. IS PROHIBITED.</p>			INTERPRET GEOMETRIC TOLERANCING PER:	DRAWN	NAME	DATE		
			MATERIAL	CHECKED	EDG	04/12/21		TITLE:
			HT200 (Cast Iron)	ENG APPR.				2AK44-1-1/8
			FINISH	MFG APPR.				SIZE
			Grey Paint	Q.A.				DWG. NO.
	NEXT ASSY	USED ON	COMMENTS:			2AK44-1.125	REV	
	APPLICATION		DO NOT SCALE DRAWING			SCALE: 1:2	WEIGHT:	SHEET 1 OF 1

2

1