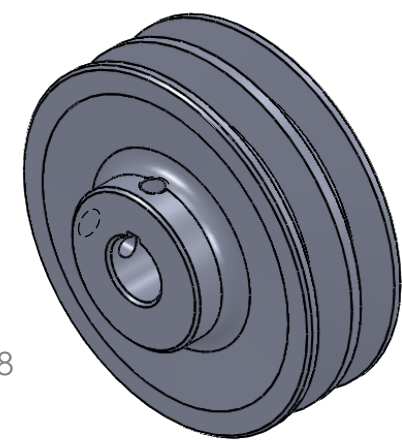
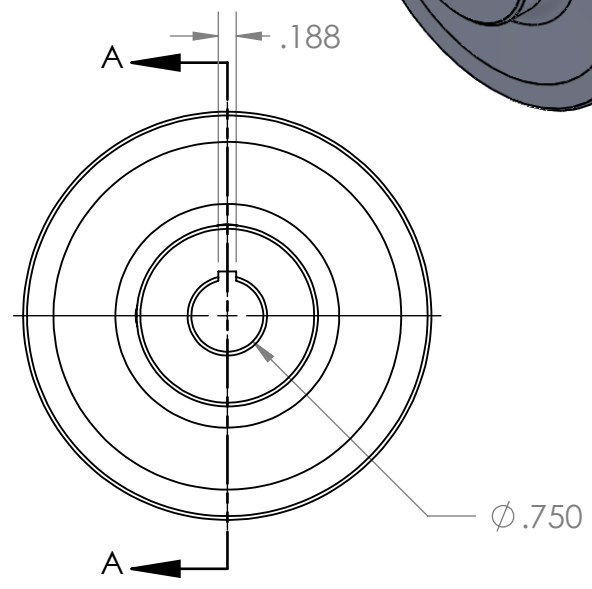
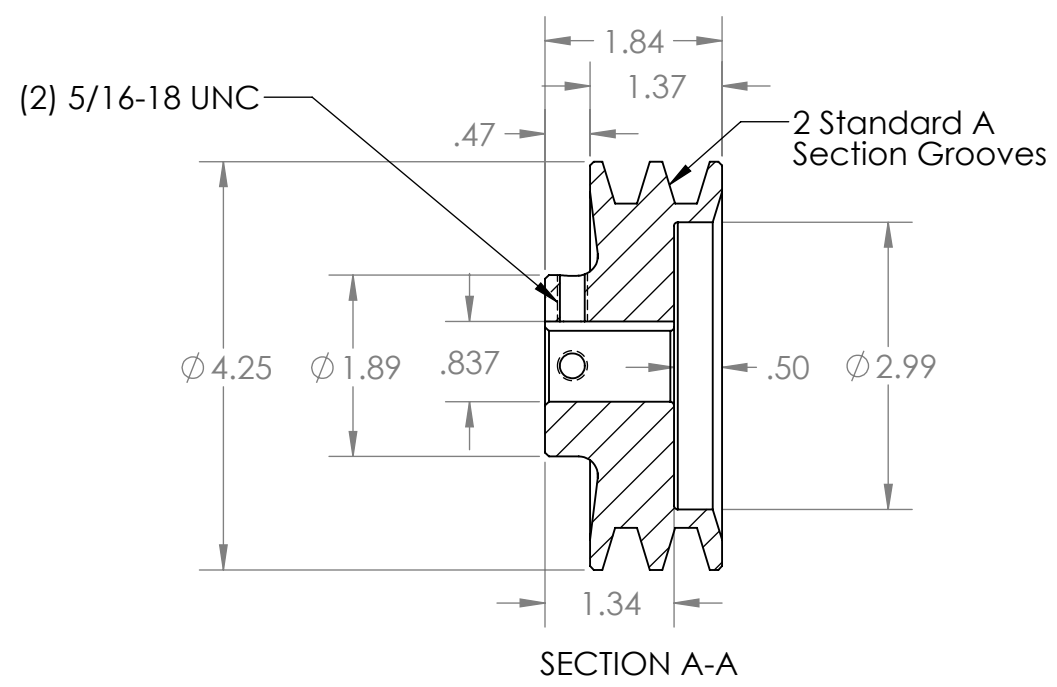


2

1

B

B



A

A

**PROPRIETARY AND CONFIDENTIAL**  
 THE INFORMATION CONTAINED IN THIS DRAWING IS THE SOLE PROPERTY OF MASTERDRIVE, INC. ANY REPRODUCTION IN PART OR AS A WHOLE WITHOUT THE WRITTEN PERMISSION OF MASTERDRIVE, INC. IS PROHIBITED.

|             |         |  |                                      |
|-------------|---------|--|--------------------------------------|
|             |         |  | INTERPRET GEOMETRIC TOLERANCING PER: |
|             |         |  | MATERIAL<br>HT200 (Cast Iron)        |
|             |         |  | FINISH<br>Grey Paint                 |
| NEXT ASSY   | USED ON |  |                                      |
| APPLICATION |         |  | DO NOT SCALE DRAWING                 |

|           |      |          |
|-----------|------|----------|
|           | NAME | DATE     |
| DRAWN     | EDG  | 04/12/21 |
| CHECKED   |      |          |
| ENG APPR. |      |          |
| MFG APPR. |      |          |
| Q.A.      |      |          |
| COMMENTS: |      |          |

**MASTERDRIVE**  
 POWER TRANSMISSION PRODUCTS

TITLE:  
**2AK44-3/4**

|          |                    |     |
|----------|--------------------|-----|
| SIZE     | DWG. NO.           | REV |
| <b>A</b> | <b>2AK44-0.750</b> |     |

SCALE: 1:2    WEIGHT:    SHEET 1 OF 1

2

1