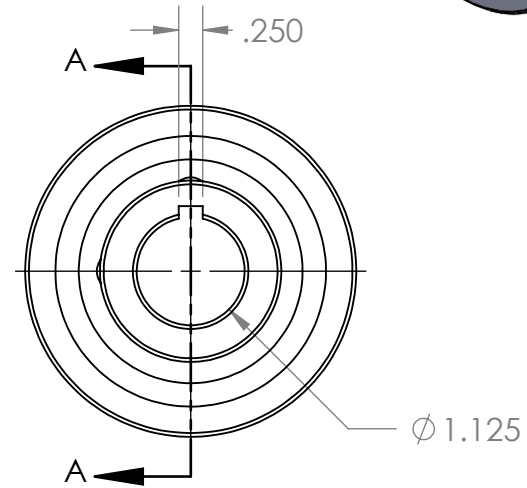
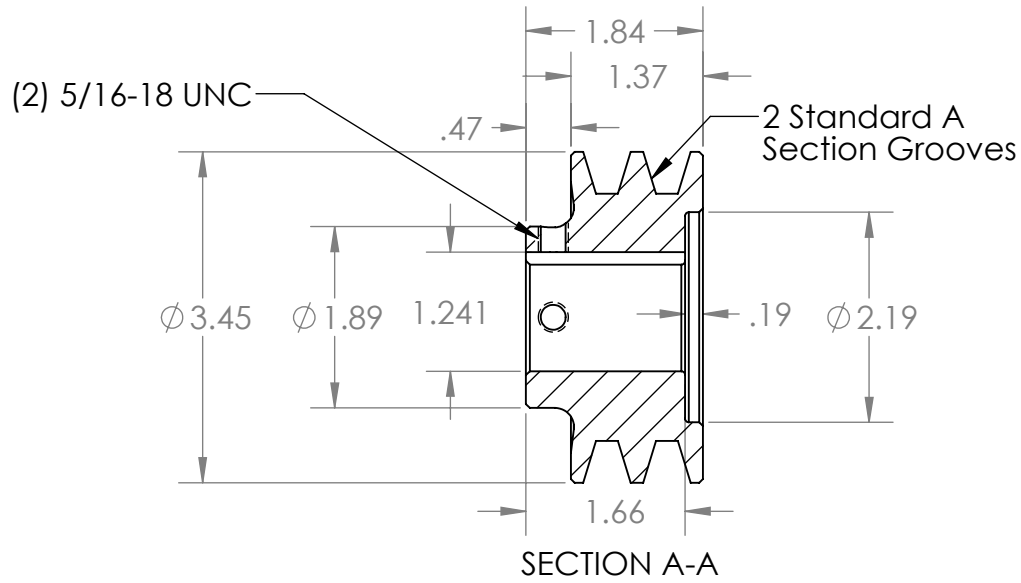
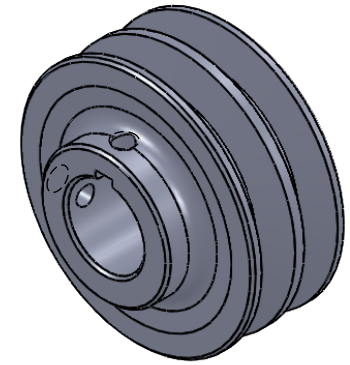


2

1

B

B



A

A

<p>PROPRIETARY AND CONFIDENTIAL THE INFORMATION CONTAINED IN THIS DRAWING IS THE SOLE PROPERTY OF MASTERDRIVE, INC. ANY REPRODUCTION IN PART OR AS A WHOLE WITHOUT THE WRITTEN PERMISSION OF MASTERDRIVE, INC. IS PROHIBITED.</p>			INTERPRET GEOMETRIC TOLERANCING PER:	DRAWN	NAME	DATE		
			MATERIAL	CHECKED	EDG	04/12/21		TITLE:
			HT200 (Cast Iron)	ENG APPR.				2AK34-1-1/8
			FINISH	MFG APPR.				SIZE
			Grey Paint	Q.A.				DWG. NO.
	NEXT ASSY	USED ON	COMMENTS:				REV	
	APPLICATION		DO NOT SCALE DRAWING				SCALE: 1:2	
							WEIGHT:	
							SHEET 1 OF 1	

2

1