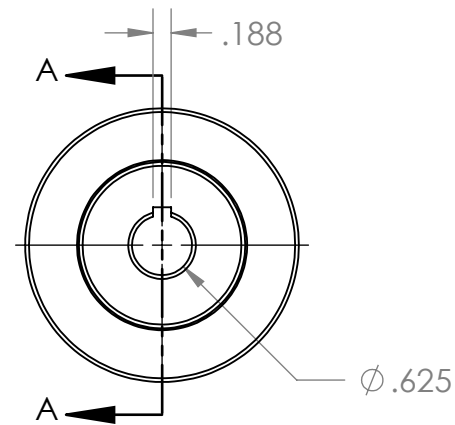
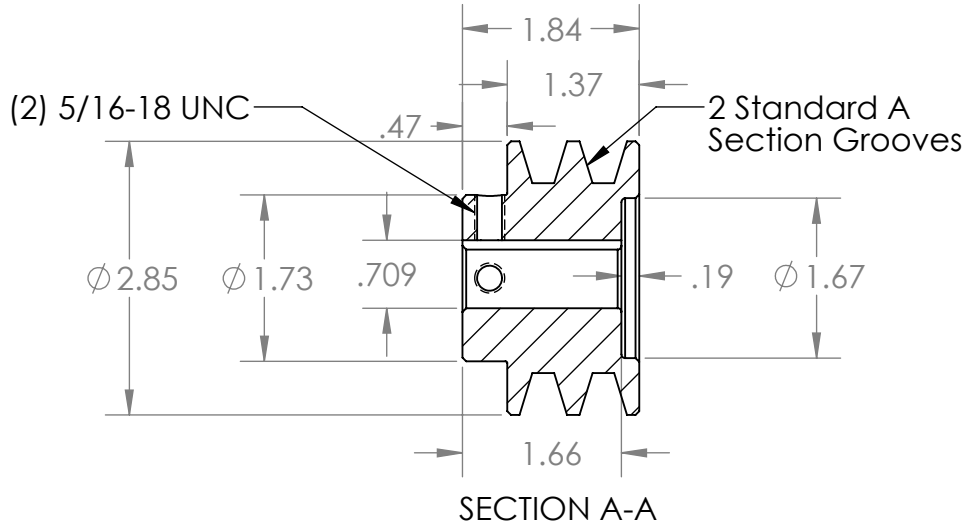
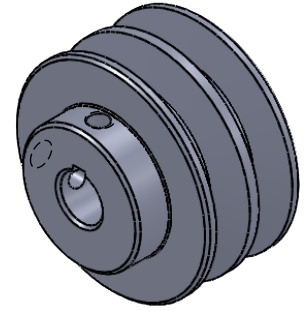


2

1

B

B



A

A

PROPRIETARY AND CONFIDENTIAL
 THE INFORMATION CONTAINED IN THIS DRAWING IS THE SOLE PROPERTY OF MASTERDRIVE, INC. ANY REPRODUCTION IN PART OR AS A WHOLE WITHOUT THE WRITTEN PERMISSION OF MASTERDRIVE, INC. IS PROHIBITED.

					NAME	DATE
				DRAWN	EDG	04/06/21
				CHECKED		
				ENG APPR.		
				MFG APPR.		
				Q.A.		
				COMMENTS:		
			INTERPRET GEOMETRIC TOLERANCING PER:			
			MATERIAL			
			HT200 (Cast Iron)			
			FINISH			
			Grey Paint			
	NEXT ASSY	USED ON				
	APPLICATION		DO NOT SCALE DRAWING			



TITLE:
2AK28-5/8

SIZE DWG. NO. REV
A 2AK28-0.625

SCALE: 1:2 WEIGHT: SHEET 1 OF 1

2

1