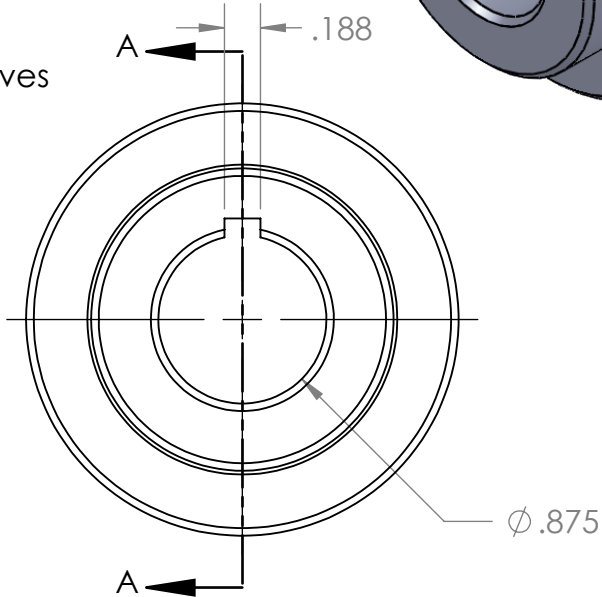
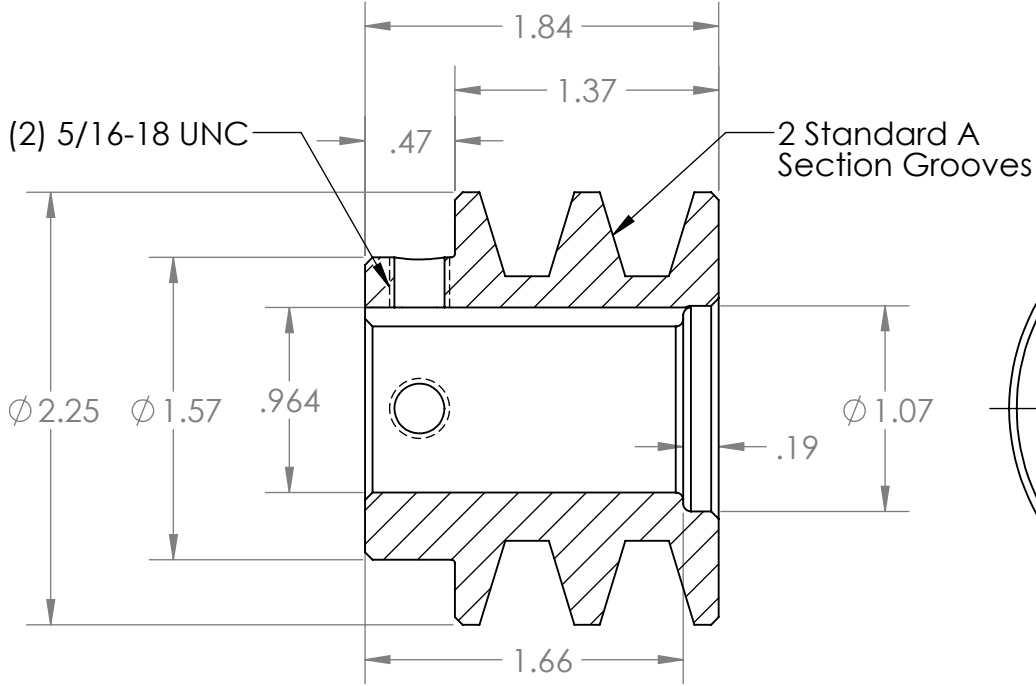
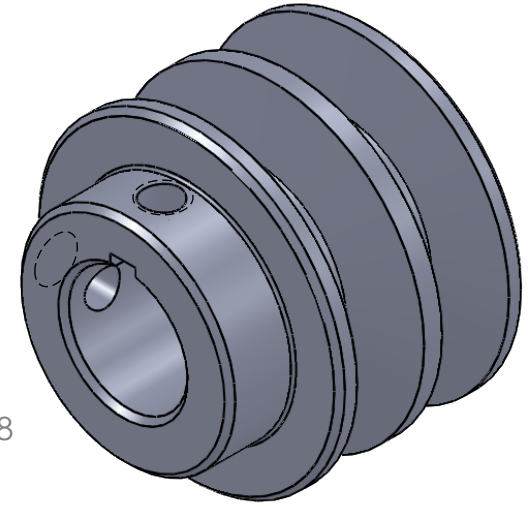


2

1

B

B



SECTION A-A

A

A

**PROPRIETARY AND CONFIDENTIAL**  
 THE INFORMATION CONTAINED IN THIS DRAWING IS THE SOLE PROPERTY OF MASTERDRIVE, INC. ANY REPRODUCTION IN PART OR AS A WHOLE WITHOUT THE WRITTEN PERMISSION OF MASTERDRIVE, INC. IS PROHIBITED.

			INTERPRET GEOMETRIC TOLERANCING PER:
			MATERIAL HT200 (Cast Iron)
			FINISH Grey Paint
NEXT ASSY	USED ON		
APPLICATION		DO NOT SCALE DRAWING	

	NAME	DATE
DRAWN	EDG	04/05/21
CHECKED		
ENG APPR.		
MFG APPR.		
Q.A.		
COMMENTS:		

**MASTERDRIVE**  
 POWER TRANSMISSION PRODUCTS

TITLE:  
**2AK22-7/8**

SIZE	DWG. NO.	REV
<b>A</b>	<b>2AK22-0.875</b>	

SCALE: 1:1    WEIGHT:    SHEET 1 OF 1

2

1