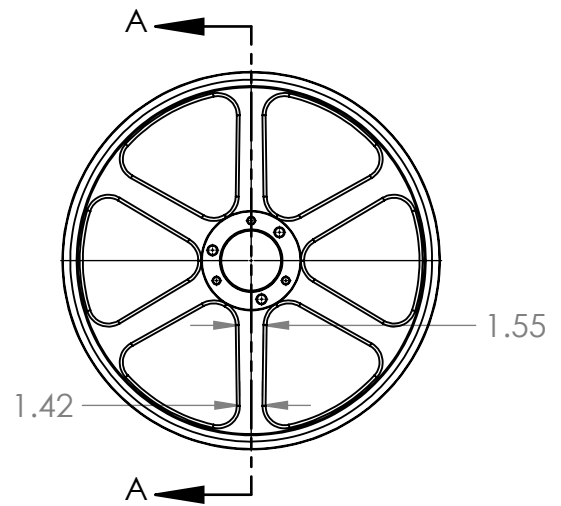
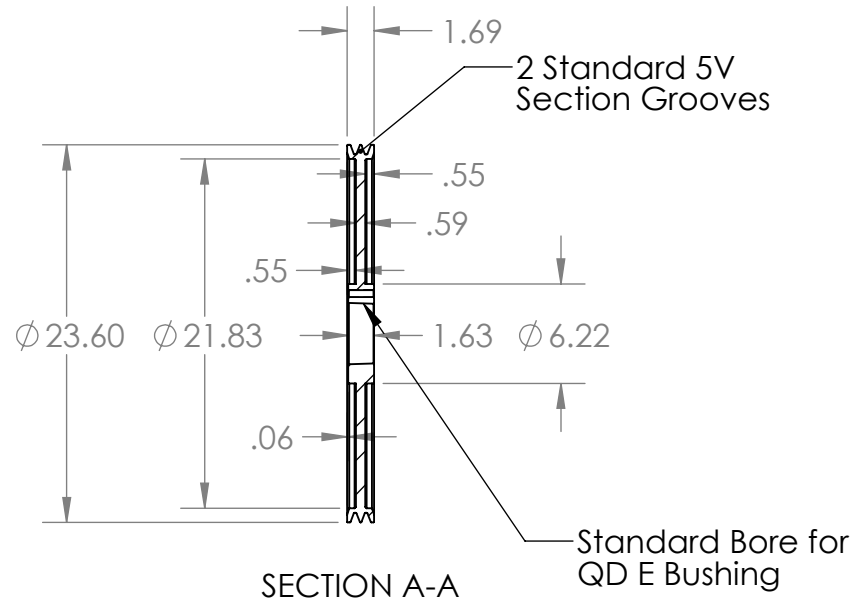
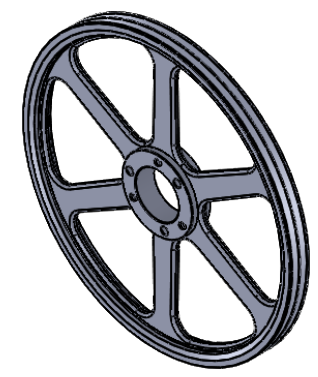


2

1


B

B



A

A

<p>PROPRIETARY AND CONFIDENTIAL</p> <p>THE INFORMATION CONTAINED IN THIS DRAWING IS THE SOLE PROPERTY OF <INSERT COMPANY NAME HERE>. ANY REPRODUCTION IN PART OR AS A WHOLE WITHOUT THE WRITTEN PERMISSION OF <INSERT COMPANY NAME HERE> IS PROHIBITED.</p>					NAME	DATE	<p>MASTERDRIVE </p> <p>POWER TRANSMISSION PRODUCTS</p> <p>TITLE:</p> <p>2/5V2360E</p>		
					DRAWN	EDG 06/25/20			
					CHECKED				
					ENG APPR.				
					MFG APPR.				
					Q.A.				
					COMMENTS:				
							SIZE	DWG. NO.	REV
							A	25V2360E	
							SCALE: 1:12	WEIGHT:	SHEET 1 OF 1

2

1

INTERPRET GEOMETRIC TOLERANCING PER:

MATERIAL
HT200 (Cast Iron)

FINISH
Grey Paint

APPLICATION
DO NOT SCALE DRAWING

NEXT ASSY

USED ON