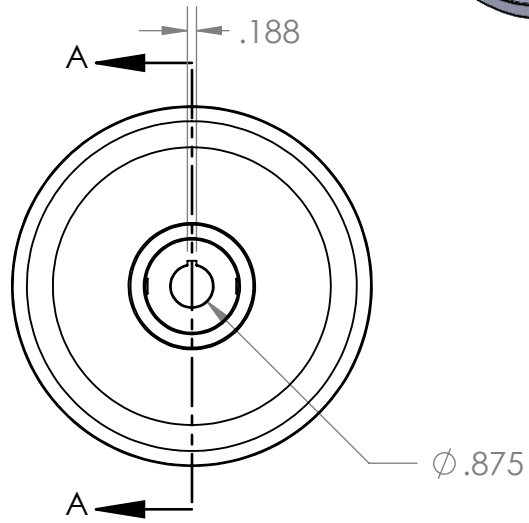
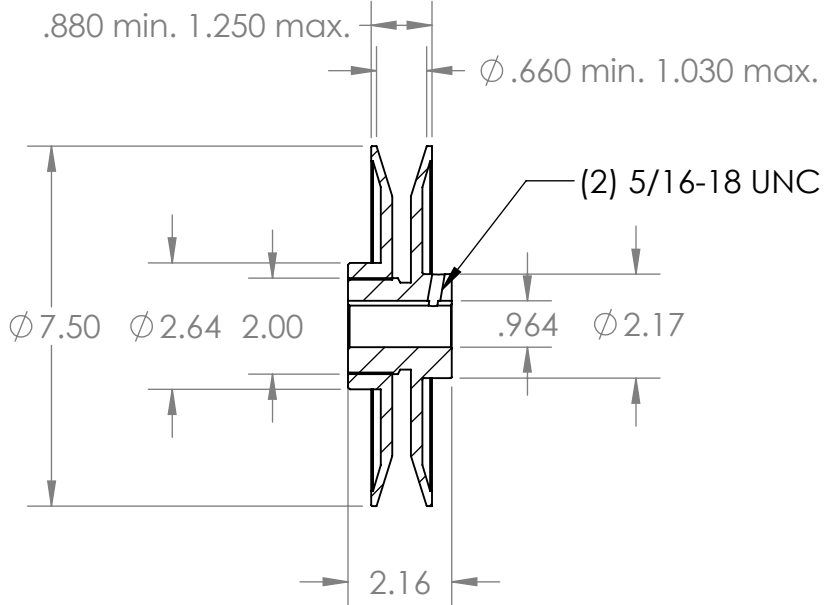
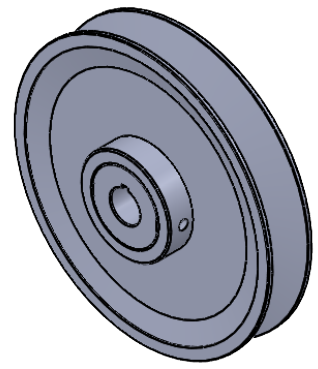


2

1

B

B



SECTION A-A


A

A

PROPRIETARY AND CONFIDENTIAL
 THE INFORMATION CONTAINED IN THIS DRAWING IS THE SOLE PROPERTY OF MASTERDRIVE, INC. ANY REPRODUCTION IN PART OR AS A WHOLE WITHOUT THE WRITTEN PERMISSION OF MASTERDRIVE, INC. IS PROHIBITED.

| | | | |
|-------------|---------|----------------------|--------------------------------------|
| | | | INTERPRET GEOMETRIC TOLERANCING PER: |
| | | | MATERIAL HT200 (Cast Iron) |
| | | | FINISH Grey Paint |
| NEXT ASSY | USED ON | | |
| APPLICATION | | DO NOT SCALE DRAWING | |

| | | |
|-----------|------|----------|
| | NAME | DATE |
| DRAWN | EDG | 07/29/21 |
| CHECKED | | |
| ENG APPR. | | |
| MFG APPR. | | |
| Q.A. | | |
| COMMENTS: | | |

MASTERDRIVE 
POWER TRANSMISSION PRODUCTS

TITLE:
1VP75-7/8

| | | |
|----------|--------------------|-----|
| SIZE | DWG. NO. | REV |
| A | 1VP75-0.875 | |

SCALE: 1:4 WEIGHT: SHEET 1 OF 1

2

1