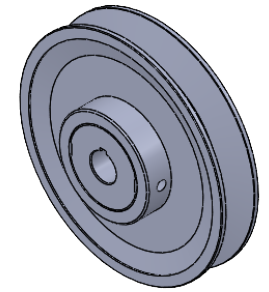


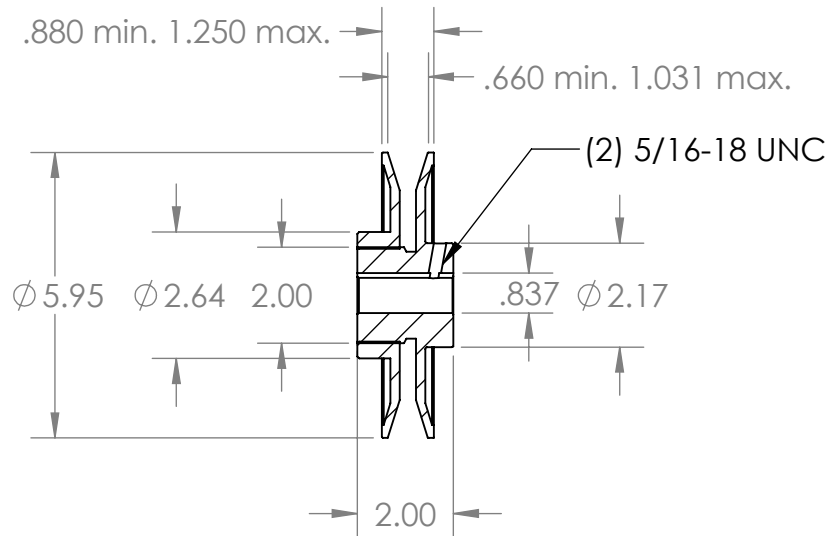
B

2

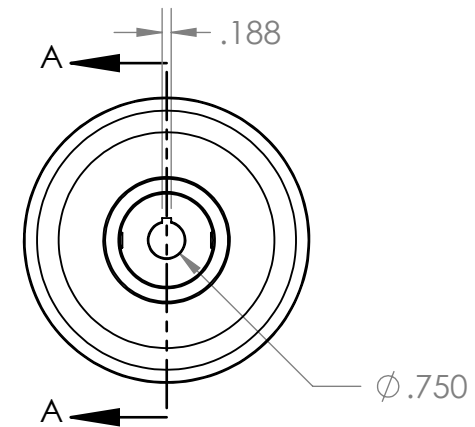
1



B



SECTION A-A



A

PROPRIETARY AND CONFIDENTIAL
 THE INFORMATION CONTAINED IN THIS DRAWING IS THE SOLE PROPERTY OF MASTERDRIVE, INC. ANY REPRODUCTION IN PART OR AS A WHOLE WITHOUT THE WRITTEN PERMISSION OF MASTERDRIVE, INC. IS PROHIBITED.

NEXT ASSY

USED ON

APPLICATION

INTERPRET GEOMETRIC TOLERANCING PER:

MATERIAL
HT200 (Cast Iron)FINISH
Grey Paint

DO NOT SCALE DRAWING

DRAWN

NAME

EDG

DATE

07/26/21

CHECKED

ENG APPR.

MFG APPR.

Q.A.

COMMENTS:

MASTERDRIVE 
 POWER TRANSMISSION PRODUCTS

TITLE:

1VP62-3/4

SIZE

A

DWG. NO.

1VP62-0.750

REV

SCALE: 1:4

WEIGHT:

SHEET 1 OF 1

A

2

1