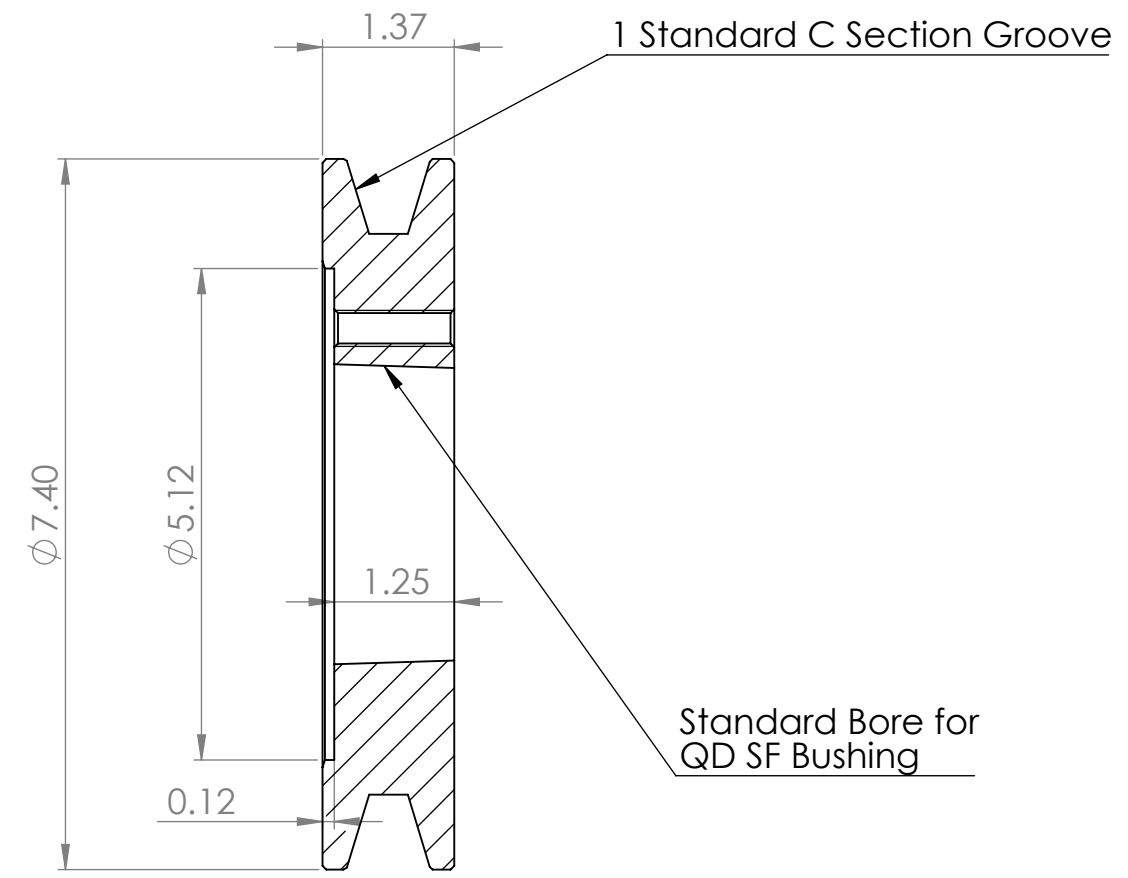
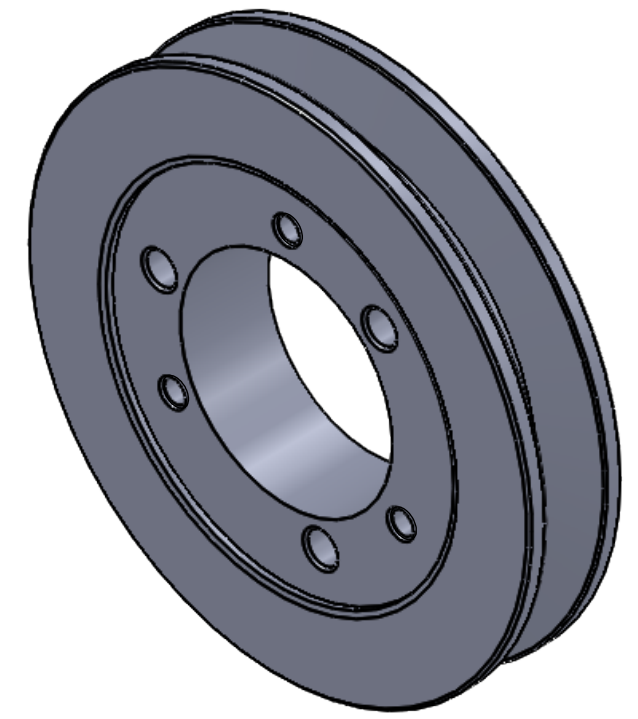


4

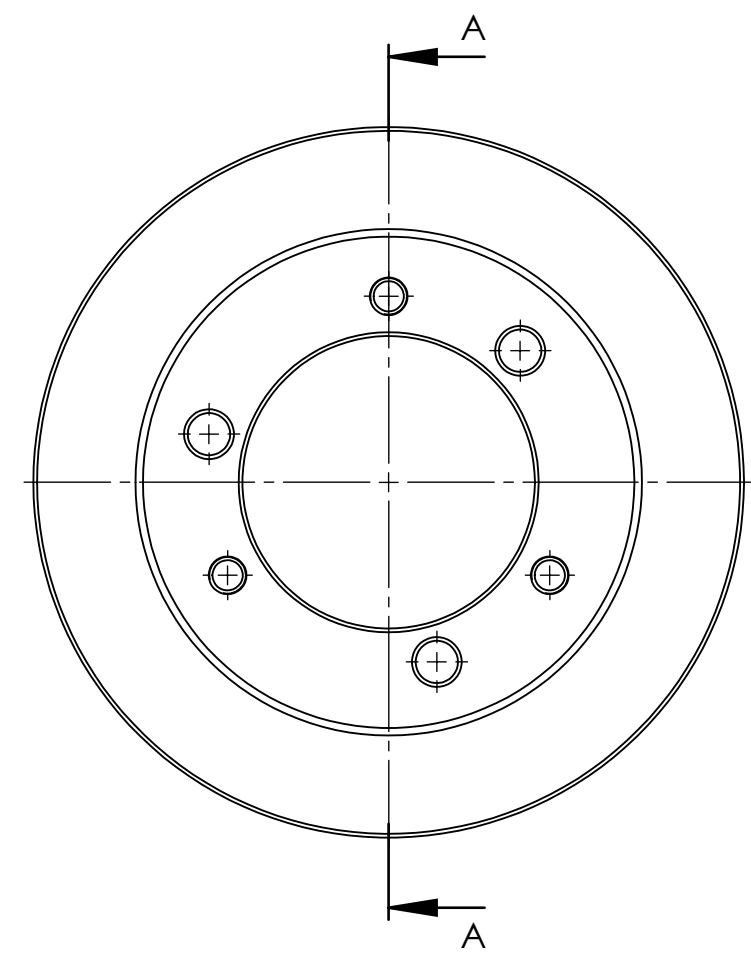
3

2

1



SECTION A-A



A

B

B

A

A

**PROPRIETARY AND CONFIDENTIAL**  
 THE INFORMATION CONTAINED IN THIS DRAWING IS THE SOLE PROPERTY OF MASTERDRIVE, INC. ANY REPRODUCTION IN PART OR AS A WHOLE WITHOUT THE WRITTEN PERMISSION OF MASTERDRIVE, INC. IS PROHIBITED.

			NAME	DATE	
		DRAWN	EDG	07/31/18	
		CHECKED			
		ENG APPR.			
		MFG APPR.			
			Q.A.		TITLE:
			COMMENTS:		1C70SF
					SIZE DWG. NO. REV
					<b>B</b> 1C70SF
					SCALE: 1:2 WEIGHT: SHEET 1 OF 1

		INTERPRET GEOMETRIC TOLERANCING PER:
		MATERIAL
		HT200 (Cast Iron)
		FINISH
		Grey Paint
NEXT ASSY	USED ON	
APPLICATION		DO NOT SCALE DRAWING

4

3

2

1