

4

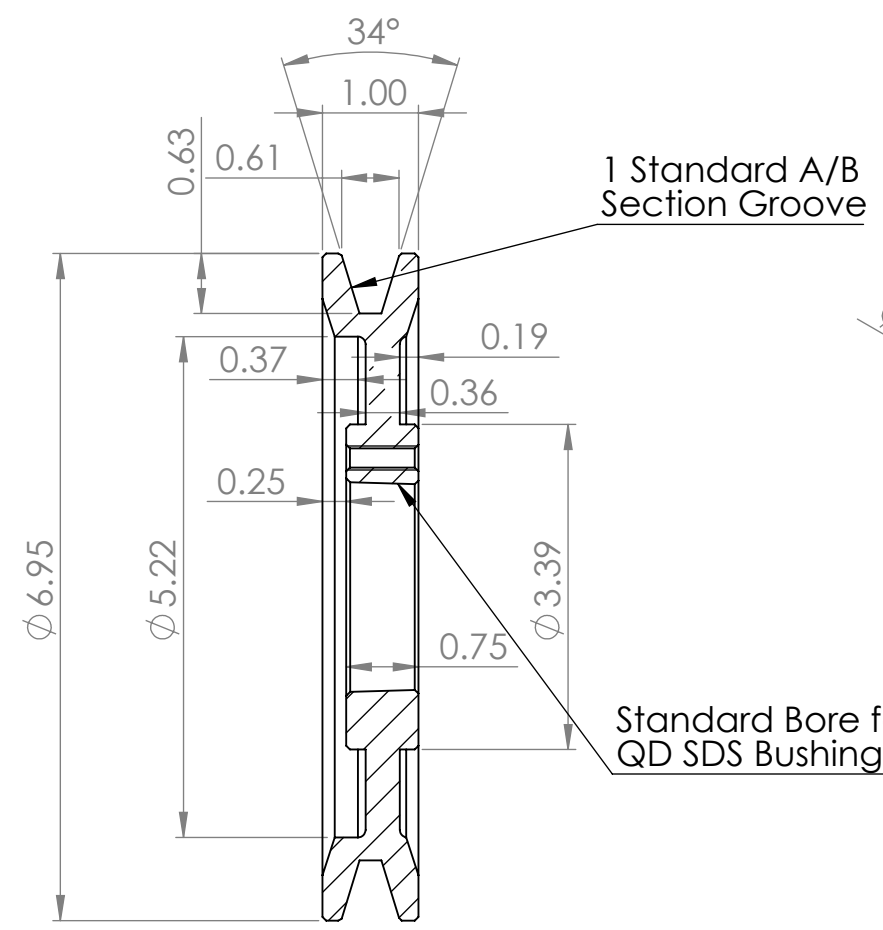
3

2

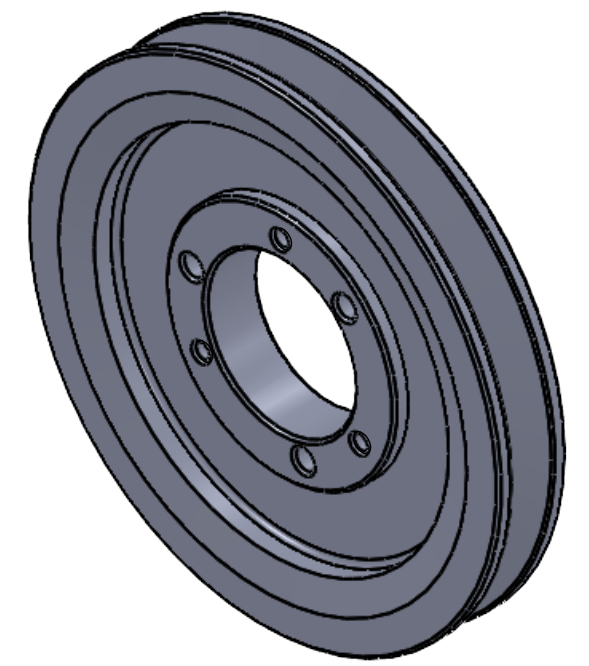
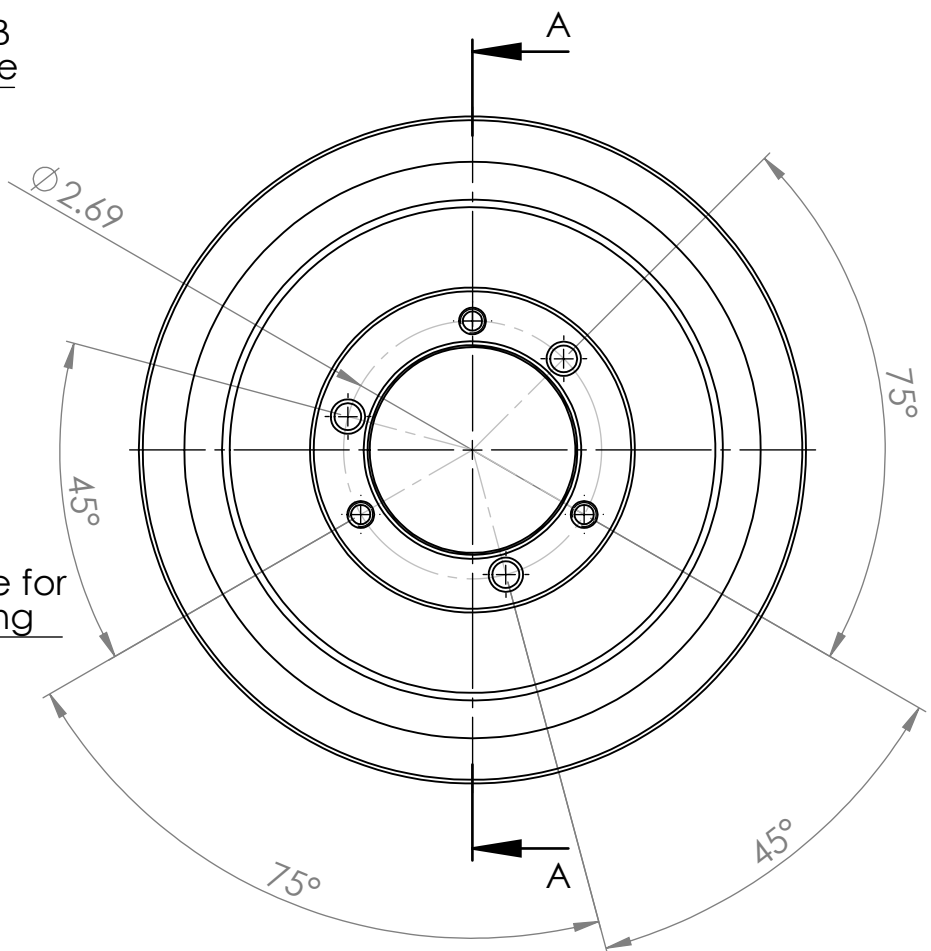
1

B

B



SECTION A-A



A

A

PROPRIETARY AND CONFIDENTIAL
 THE INFORMATION CONTAINED IN THIS DRAWING IS THE SOLE PROPERTY OF MASTERDRIVE, INC. ANY REPRODUCTION IN PART OR AS A WHOLE WITHOUT THE WRITTEN PERMISSION OF MASTERDRIVE, INC. IS PROHIBITED.

				NAME	DATE
			DRAWN	EDG	08/07/18
			CHECKED		
			ENG APPR.		
			MFG APPR.		
			Q.A.		
			COMMENTS:		
			INTERPRET GEOMETRIC TOLERANCING PER:		
			MATERIAL HT200 (Cast Iron)		
			FINISH Grey Paint		
NEXT ASSY	USED ON				
APPLICATION			DO NOT SCALE DRAWING		



TITLE: 1B66SDS		
SIZE B	DWG. NO. 1B66SDS with groove dimensions	REV
SCALE: 1:2	WEIGHT:	SHEET 1 OF 1

4

3

2

1