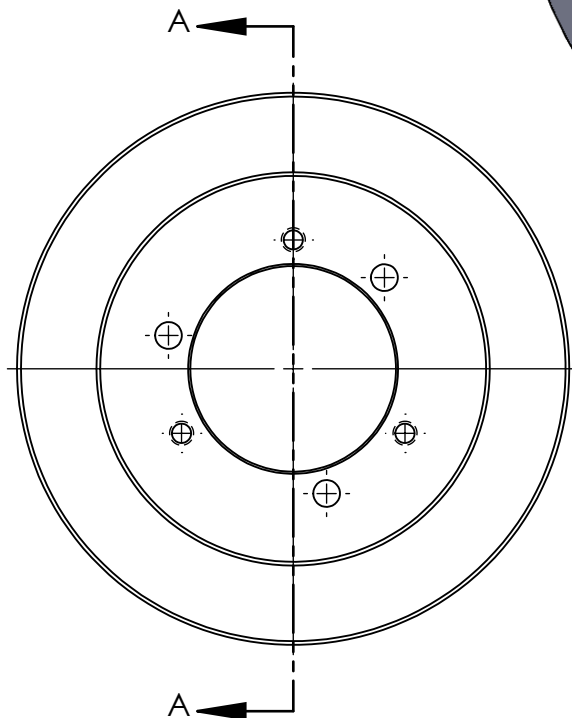
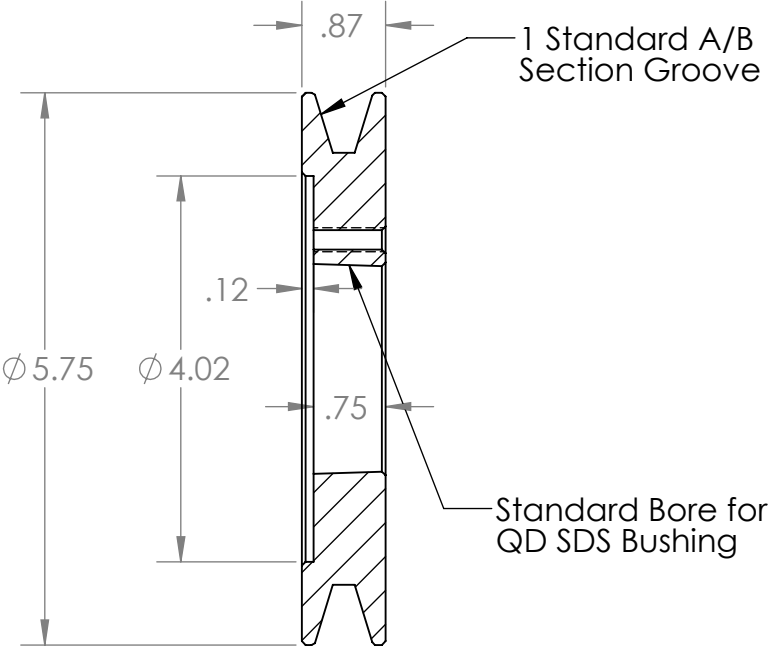
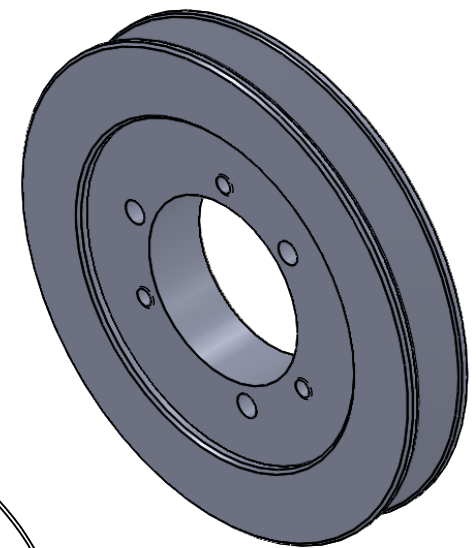


2

1

B

B



SECTION A-A

A

A

PROPRIETARY AND CONFIDENTIAL
 THE INFORMATION CONTAINED IN THIS DRAWING IS THE SOLE PROPERTY OF <INSERT COMPANY NAME HERE>. ANY REPRODUCTION IN PART OR AS A WHOLE WITHOUT THE WRITTEN PERMISSION OF <INSERT COMPANY NAME HERE> IS PROHIBITED.

| | | | |
|-------------|---------|--|--------------------------------------|
| | | | INTERPRET GEOMETRIC TOLERANCING PER: |
| | | | MATERIAL HT200 (Cast Iron) |
| | | | FINISH Grey Paint |
| NEXT ASSY | USED ON | | |
| APPLICATION | | | DO NOT SCALE DRAWING |

| | | |
|-----------|------|----------|
| | NAME | DATE |
| DRAWN | EDG | 08/07/18 |
| CHECKED | | |
| ENG APPR. | | |
| MFG APPR. | | |
| Q.A. | | |
| COMMENTS: | | |



| | | |
|--------------------------|----------------------------|--------------|
| TITLE: 1B54SDS | | |
| SIZE A | DWG. NO. 1B54SDS | REV |
| SCALE: 1:2 | WEIGHT: | SHEET 1 OF 1 |

2

1