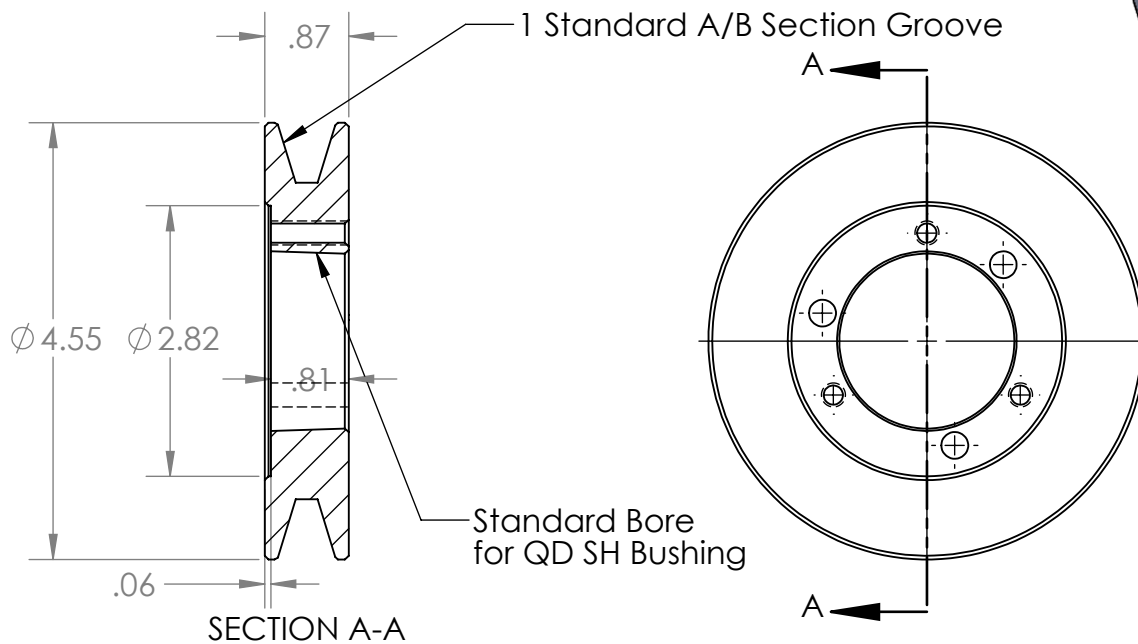


2

1

B

B



A

A

			NAME	DATE
			DRAWN	EDG 07/30/18
			CHECKED	
			ENG APPR.	
			MFG APPR.	
			Q.A.	
			COMMENTS:	
		INTERPRET GEOMETRIC TOLERANCING PER:		
		MATERIAL		
		HT200 (Cast Iron)		
		FINISH		
		Grey Paint		
	NEXT ASSY	USED ON		
	APPLICATION			
			DO NOT SCALE DRAWING	



TITLE:		
1B42SH		
SIZE	DWG. NO.	REV
<b>A</b>	1B42SH	
SCALE: 1:2	WEIGHT:	SHEET 1 OF 1

**PROPRIETARY AND CONFIDENTIAL**  
 THE INFORMATION CONTAINED IN THIS DRAWING IS THE SOLE PROPERTY OF <INSERT COMPANY NAME HERE>. ANY REPRODUCTION IN PART OR AS A WHOLE WITHOUT THE WRITTEN PERMISSION OF <INSERT COMPANY NAME HERE> IS PROHIBITED.

2

1