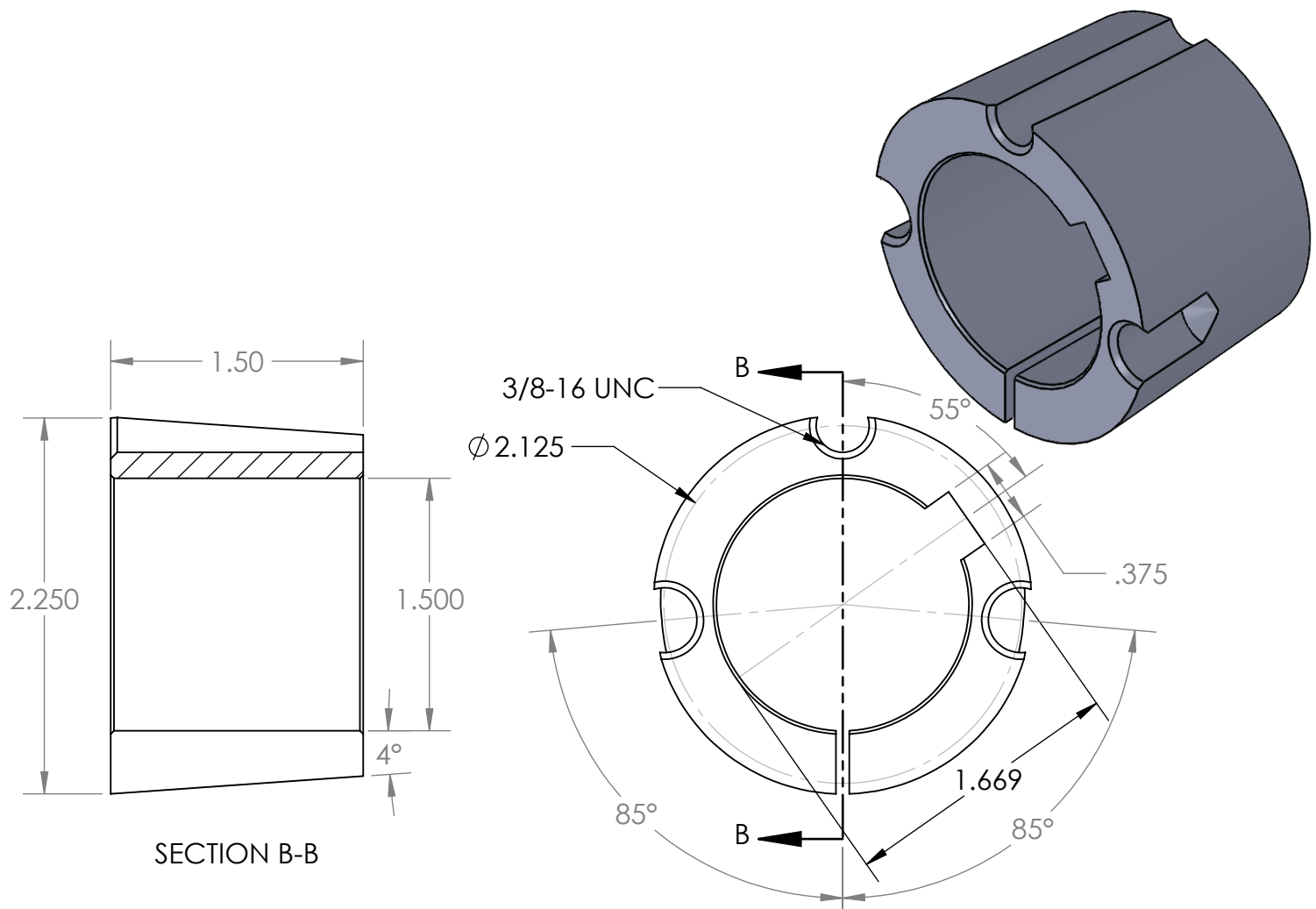


2

1

B

B



SECTION B-B

A

A

				NAME	DATE			
				DRAWN	EDG		10/06/20	
				CHECKED				
				ENG APPR.				
				MFG APPR.				
				Q.A.				
				COMMENTS:		TITLE:		
						1615-1.1/2		
						SIZE	DWG. NO.	REV
						<b>A</b>	1615-1.500	
						SCALE: 1:1	WEIGHT:	SHEET 1 OF 1

**PROPRIETARY AND CONFIDENTIAL**  
 THE INFORMATION CONTAINED IN THIS DRAWING IS THE SOLE PROPERTY OF MASTERDRIVE, INC. ANY REPRODUCTION IN PART OR AS A WHOLE WITHOUT THE WRITTEN PERMISSION OF MASTERDRIVE, INC. IS PROHIBITED.

INTERPRET GEOMETRIC TOLERANCING PER:  
 MATERIAL  
 HT200 (Cast Iron)  
 FINISH  
 Black Phosphate  
 APPLICATION  
 DO NOT SCALE DRAWING

2

1