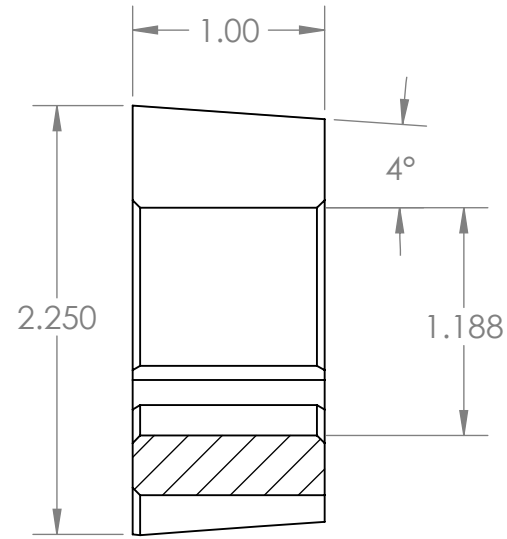
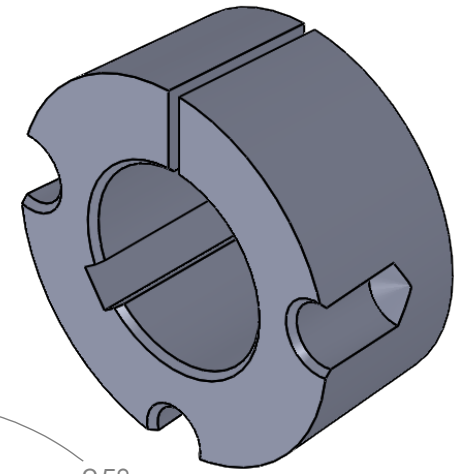


2

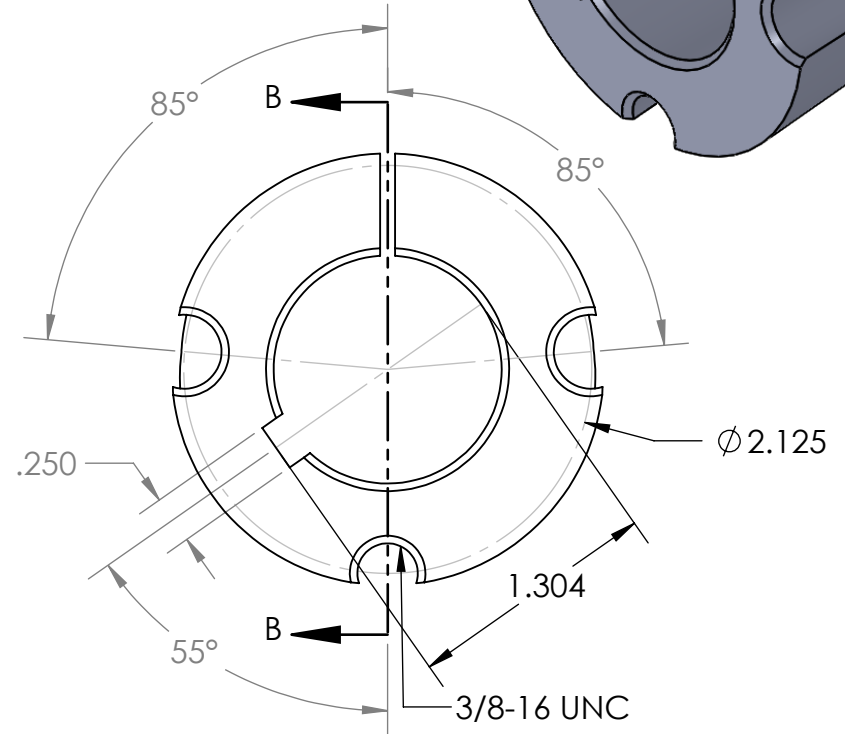
1

B

B



SECTION B-B



A

A

PROPRIETARY AND CONFIDENTIAL
 THE INFORMATION CONTAINED IN THIS DRAWING IS THE SOLE PROPERTY OF MASTERDRIVE, INC. ANY REPRODUCTION IN PART OR AS A WHOLE WITHOUT THE WRITTEN PERMISSION OF MASTERDRIVE, INC. IS PROHIBITED.

| | | | | | |
|--|-------------|---------|--|--------------------------------------|----------|
| | | | | NAME | DATE |
| | | | | EDG | 09/28/20 |
| | | | | DRAWN | |
| | | | | CHECKED | |
| | | | | ENG APPR. | |
| | | | | MFG APPR. | |
| | | | | Q.A. | |
| | | | | COMMENTS: | |
| | | | | INTERPRET GEOMETRIC TOLERANCING PER: | |
| | | | | MATERIAL HT200 (Cast Iron) | |
| | | | | FINISH Black Phosphate | |
| | NEXT ASSY | USED ON | | | |
| | APPLICATION | | | DO NOT SCALE DRAWING | |



| | | |
|-------------|------------|--------------|
| TITLE: | | |
| 1610-1.3/16 | | |
| SIZE | DWG. NO. | REV |
| A | 1610-1.188 | |
| SCALE: 1:1 | WEIGHT: | SHEET 1 OF 1 |

2

1