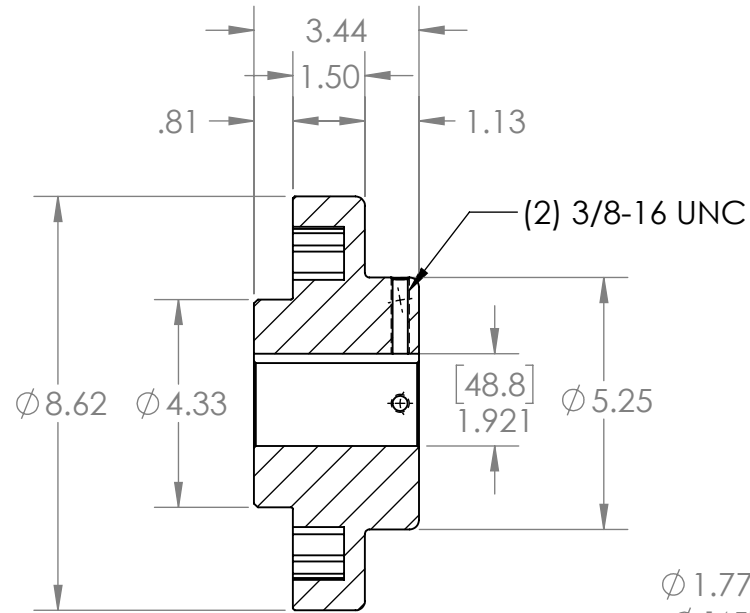
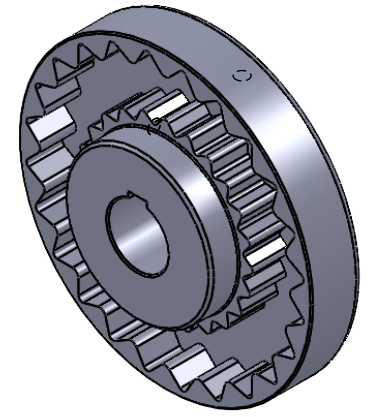


2

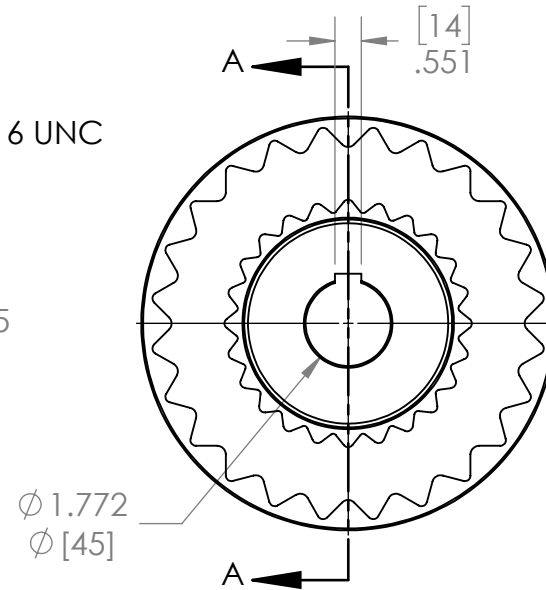
1

B

B



SECTION A-A



A

A

**PROPRIETARY AND CONFIDENTIAL**  
 THE INFORMATION CONTAINED IN THIS DRAWING IS THE SOLE PROPERTY OF MASTERDRIVE, INC. ANY REPRODUCTION IN PART OR AS A WHOLE WITHOUT THE WRITTEN PERMISSION OF MASTERDRIVE, INC. IS PROHIBITED.

			INTERPRET GEOMETRIC TOLERANCING PER:	NAME	DATE
			MATERIAL	DRAWN	EDG
			HT200 (Cast Iron)		08/08/23
			FINISH	CHECKED	
			Grey Paint	ENG APPR.	
NEXT ASSY	USED ON			MFG APPR.	
				Q.A.	
				COMMENTS:	
APPLICATION			DO NOT SCALE DRAWING		



TITLE:		
11S-45MM		
SIZE	DWG. NO.	REV
<b>A</b>	11S-45MM	
SCALE: 1:4	WEIGHT:	SHEET 1 OF 1

2

1