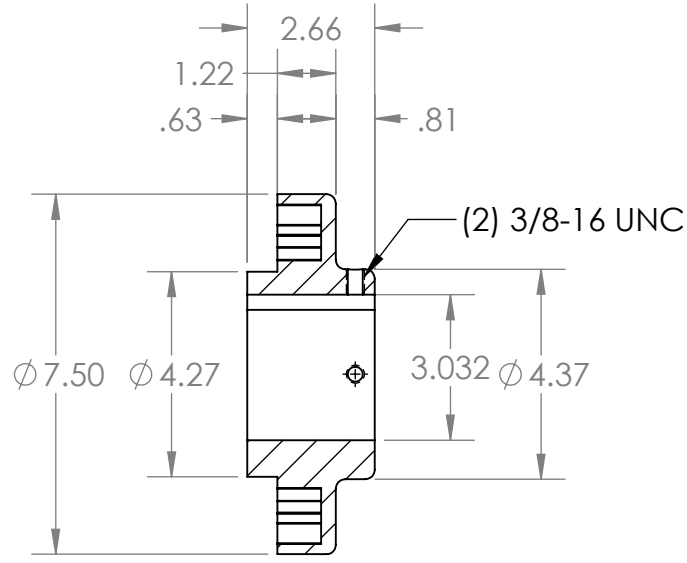
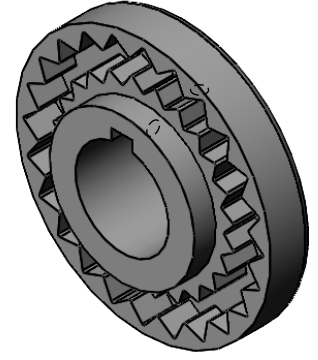


2

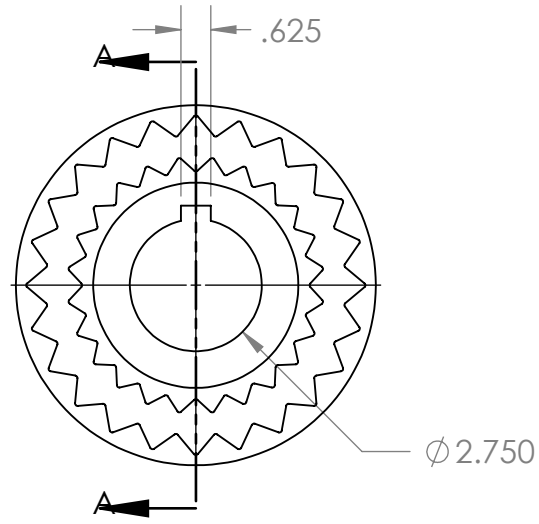
1

B

B



SECTION A-A



A

A

**PROPRIETARY AND CONFIDENTIAL**  
 THE INFORMATION CONTAINED IN THIS DRAWING IS THE SOLE PROPERTY OF MASTERDRIVE, INC. ANY REPRODUCTION IN PART OR AS A WHOLE WITHOUT THE WRITTEN PERMISSION OF MASTERDRIVE, INC. IS PROHIBITED.

|  |             |         |  |                                      |                      |
|--|-------------|---------|--|--------------------------------------|----------------------|
|  |             |         |  | NAME                                 | DATE                 |
|  |             |         |  | EDG                                  | 05/16/22             |
|  |             |         |  | CHECKED                              |                      |
|  |             |         |  | ENG APPR.                            |                      |
|  |             |         |  | MFG APPR.                            |                      |
|  |             |         |  | Q.A.                                 |                      |
|  |             |         |  | COMMENTS:                            |                      |
|  |             |         |  | INTERPRET GEOMETRIC TOLERANCING PER: |                      |
|  |             |         |  | MATERIAL HT200 (Cast Iron)           |                      |
|  |             |         |  | FINISH Grey Paint                    |                      |
|  | NEXT ASSY   | USED ON |  |                                      |                      |
|  | APPLICATION |         |  |                                      |                      |
|  |             |         |  |                                      | DO NOT SCALE DRAWING |



|                    |           |              |
|--------------------|-----------|--------------|
| TITLE:             |           |              |
| <h1>10S-2-3/4</h1> |           |              |
| SIZE               | DWG. NO.  | REV          |
| <b>A</b>           | 10S-2.750 |              |
| SCALE: 1:4         | WEIGHT:   | SHEET 1 OF 1 |

2

1