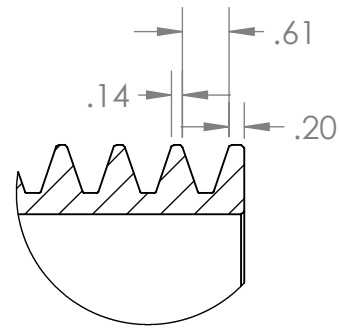


2

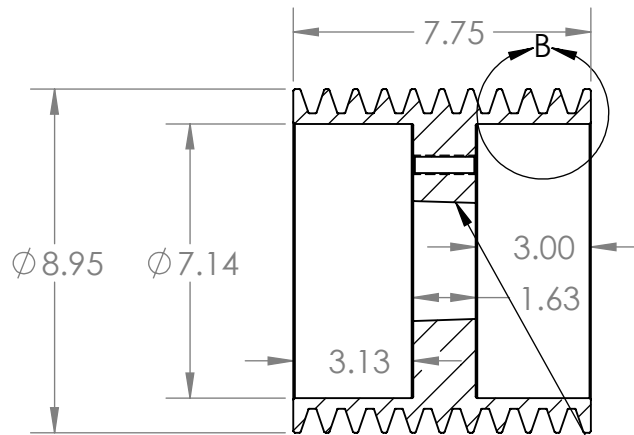
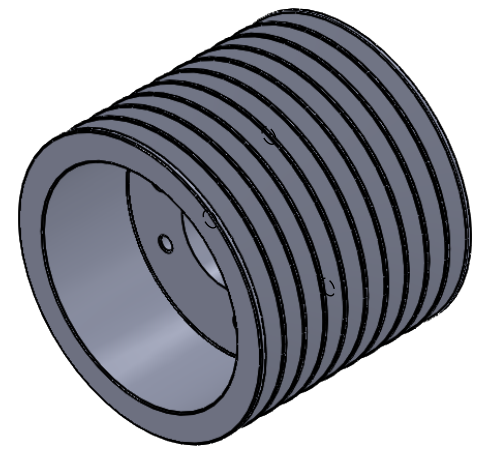
1

B

B

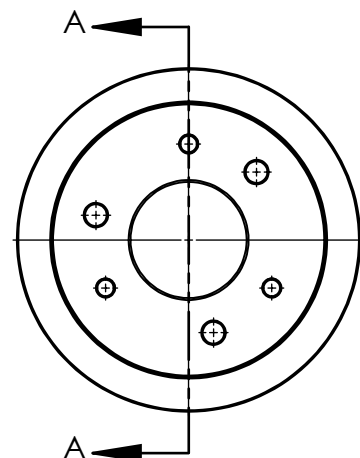


DETAIL B
SCALE 2 : 5



SECTION A-A

Standard Bore for
QD E Bushing



A

A

PROPRIETARY AND CONFIDENTIAL
 THE INFORMATION CONTAINED IN THIS DRAWING IS THE SOLE PROPERTY OF <INSERT COMPANY NAME HERE>. ANY REPRODUCTION IN PART OR AS A WHOLE WITHOUT THE WRITTEN PERMISSION OF <INSERT COMPANY NAME HERE> IS PROHIBITED.

				NAME	DATE
				EDG	02/27/20
				CHECKED	
				ENG APPR.	
				MFG APPR.	
				Q.A.	
				COMMENTS:	
				INTERPRET GEOMETRIC TOLERANCING PER:	
				MATERIAL HT200 (Cast Iron)	
				FINISH Grey Paint	
				DO NOT SCALE DRAWING	
				NEXT ASSY	USED ON
				APPLICATION	



TITLE:
10B86E

SIZE **A** DWG. NO. **10B86E detailed** REV

SCALE: 1:5 WEIGHT: SHEET 1 OF 1

2

1