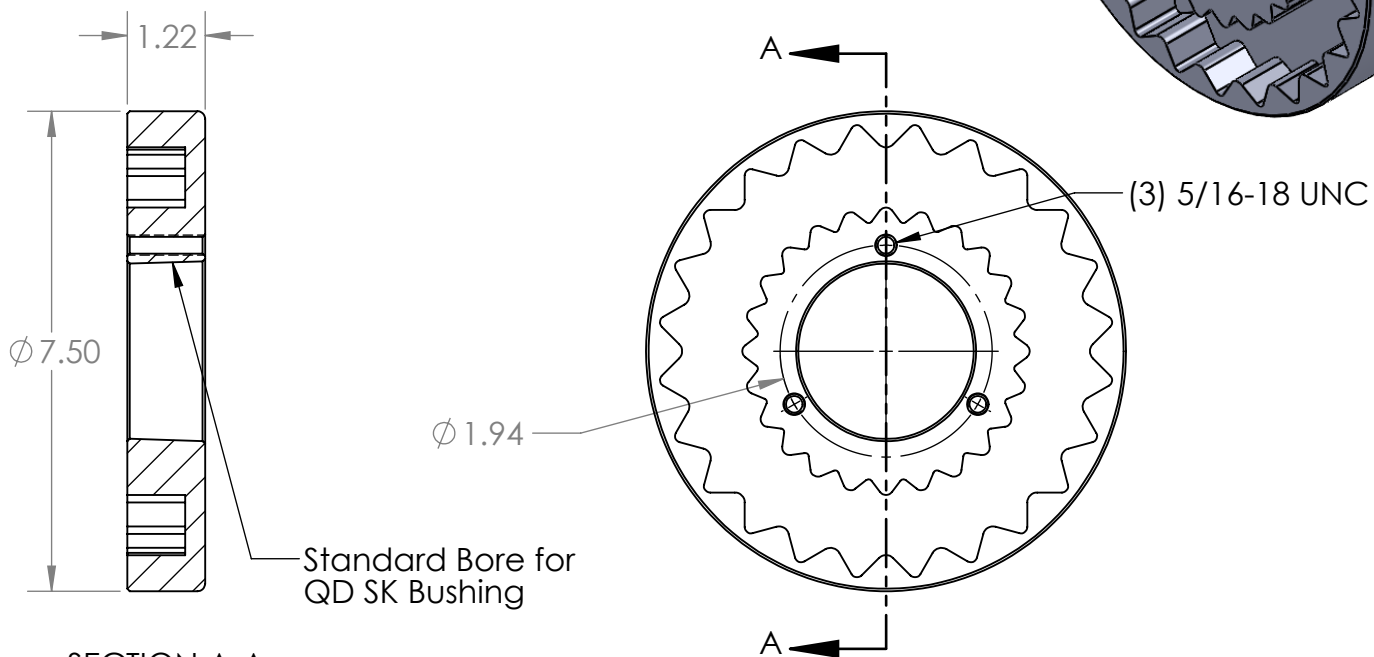
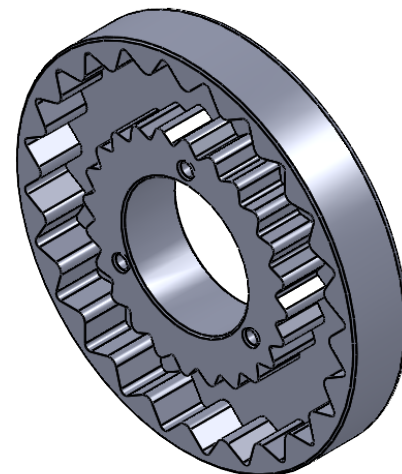


2

1

B

B



SECTION A-A

Standard Bore for QD SK Bushing



TITLE: 10B

SIZE	DWG. NO.	REV
A	10B	

SCALE: 1:3	WEIGHT:	SHEET 1 OF 1
------------	---------	--------------

			NAME	DATE
			DRAWN	EDG 08/02/23
			CHECKED	
			ENG APPR.	
			MFG APPR.	
			Q.A.	
			COMMENTS:	
		INTERPRET GEOMETRIC TOLERANCING PER:		
		MATERIAL	HT200 (Cast Iron)	
		FINISH	Grey Paint	
NEXT ASSY	USED ON			
APPLICATION		DO NOT SCALE DRAWING		

PROPRIETARY AND CONFIDENTIAL
 THE INFORMATION CONTAINED IN THIS DRAWING IS THE SOLE PROPERTY OF MASTERDRIVE, INC. ANY REPRODUCTION IN PART OR AS A WHOLE WITHOUT THE WRITTEN PERMISSION OF MASTERDRIVE, INC. IS PROHIBITED.

2

1

A

A