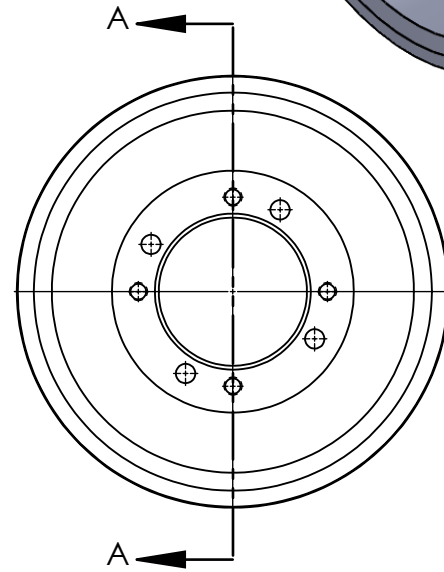
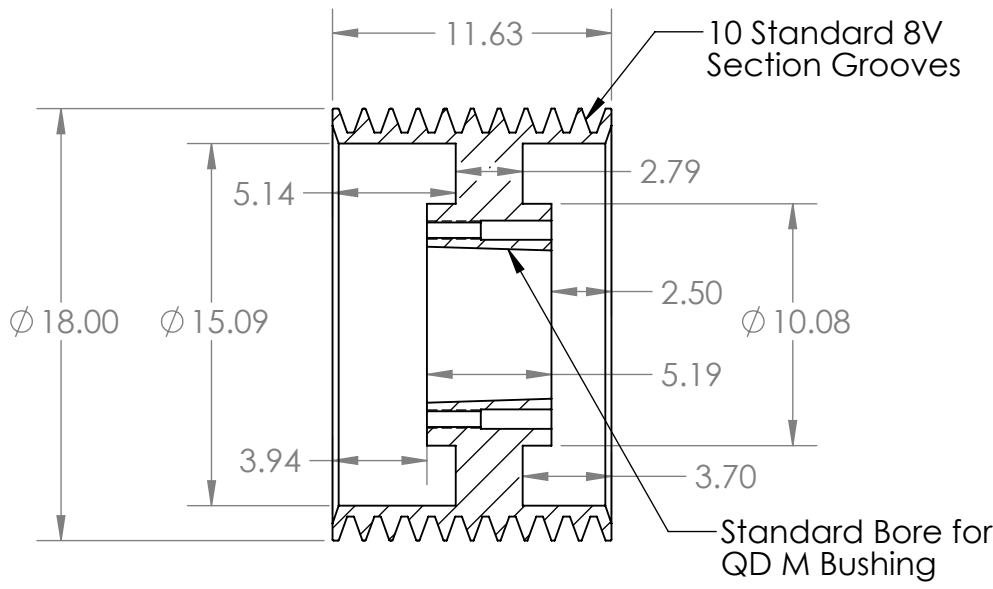
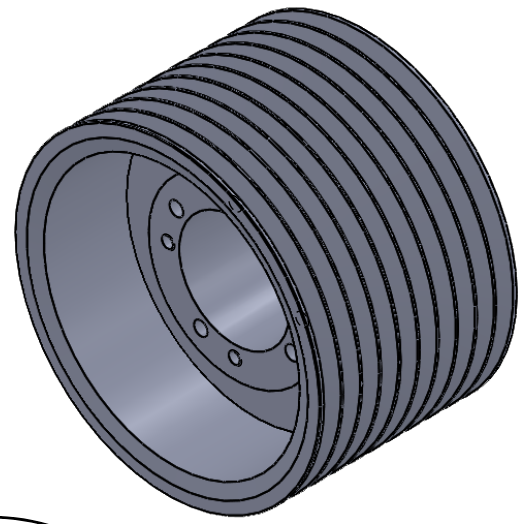


2

1

B

B



SECTION A-A

A

A

PROPRIETARY AND CONFIDENTIAL
 THE INFORMATION CONTAINED IN THIS DRAWING IS THE SOLE PROPERTY OF <INSERT COMPANY NAME HERE>. ANY REPRODUCTION IN PART OR AS A WHOLE WITHOUT THE WRITTEN PERMISSION OF <INSERT COMPANY NAME HERE> IS PROHIBITED.

| | | | | | |
|--|--|--|--|--------------------------------------|----------|
| | | | | NAME | DATE |
| | | | | EDG | 07/15/20 |
| | | | | CHECKED | |
| | | | | ENG APPR. | |
| | | | | MFG APPR. | |
| | | | | Q.A. | |
| | | | | COMMENTS: | |
| | | | | INTERPRET GEOMETRIC TOLERANCING PER: | |
| | | | | MATERIAL HT200 (Cast Iron) | |
| | | | | FINISH Grey Paint | |
| | | | | DO NOT SCALE DRAWING | |
| | | | | NEXT ASSY | USED ON |
| | | | | APPLICATION | |



TITLE:
10/8V1800M

SIZE DWG. NO. REV
A 108V1800M

SCALE: 1:8 WEIGHT: SHEET 1 OF 1

2

1