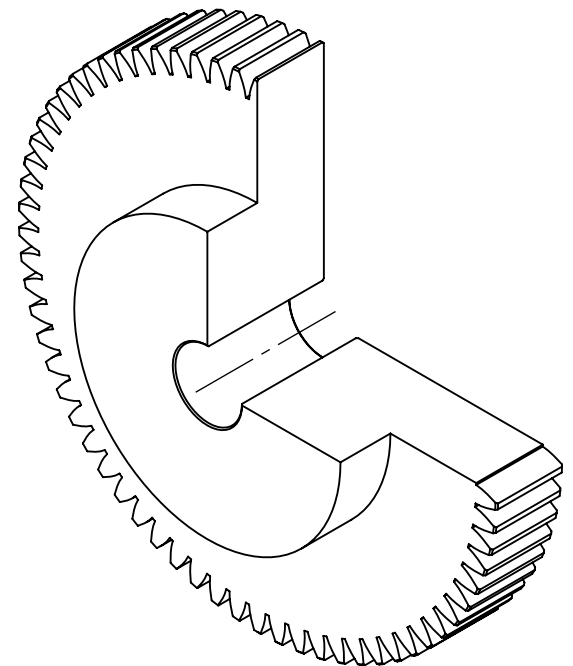
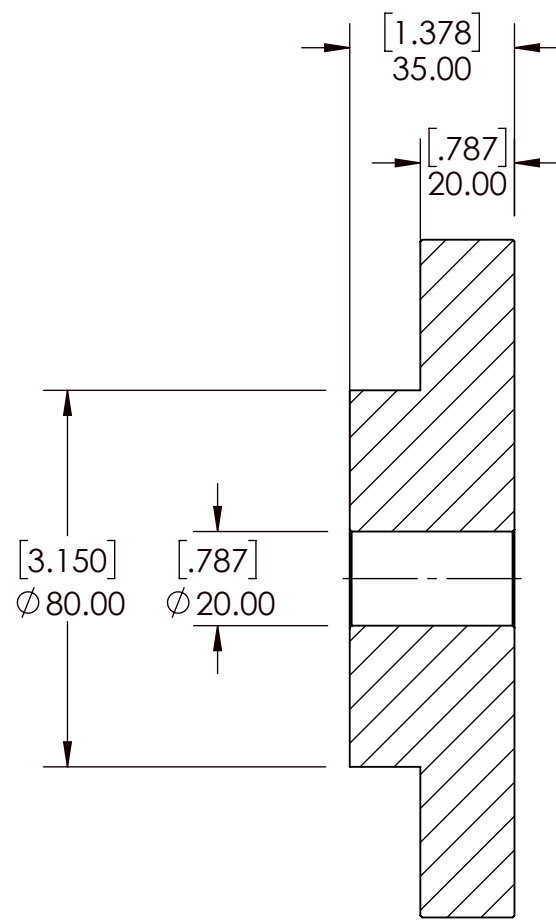
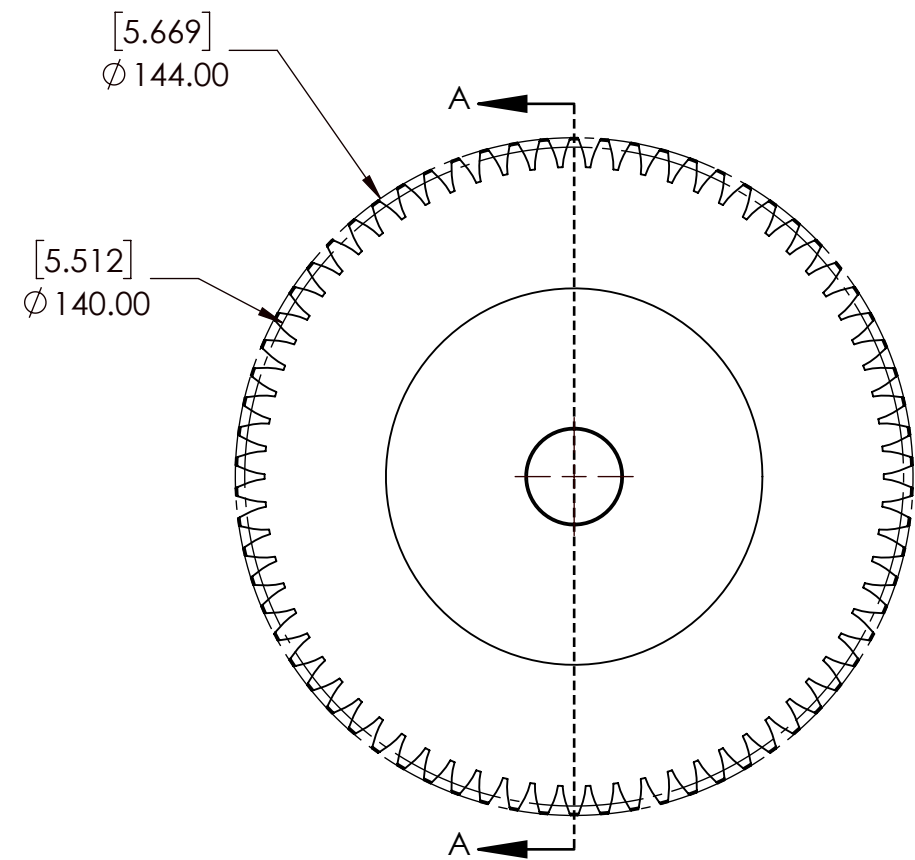


9 8 7 6 5 4 3 2 1

G F E D C B A

G F E D C B A

G F E D C B A



SECTION A-A

| SPUR GEAR SPECIFICATIONS |           | WEIGHT   |       | DATE  |  | BY    |  | REVISION DESCRIPTION |  | REV |
|--------------------------|-----------|----------|-------|---|--|-------|--|----------------------|--|-----|
| UNITS                    | mm (INCH) | 6.33 LBS |       |   |  |       |  |                      |  |     |
| MODULE                   | 2         | MATERIAL | STEEL |   |  |       |  |                      |  |     |
| PRESSURE ANGLE           | 20°       | COATING  | N/A   |   |  |       |  |                      |  |     |
| NUMBER OF TEETH          | 70        | DRAWN    | SEC   | 08/28/2025  |  |       |  |                      |  |     |
| PITCH DIAMETER           | 140mm     | CHECKED  | SEC   | 08/28/2025  |  |       |  |                      |  |     |
| HUB TYPE                 | B         | APPROVED |       |   |  |       |  |                      |  |     |
| MAX TORQUE (Nm)          | 130.00 Nm |          |       | ITEM DESCRIPTION:   |  | M2B70 |  | SCALE                |  | 1:1 |
| TOOTH TYPE               | STRAIGHT  |          |       |   |  |       |  |                      |  |     |
| MAX RIM SPEED            | 12 M/S    | DWG. NO. |       | PROPRIETARY AND CONFIDENTIAL  |  | REV   |  | -                    |  |     |
|                          |           |          |       | <small>THE INFORMATION CONTAINED IN THIS DRAWING IS THE SOLE PROPERTY OF SOLVE IMG. ANY REPRODUCTION IN PART OR AS A WHOLE WITHOUT THE WRITTEN PERMISSION OF SOLVE IMG IS PROHIBITED.</small> |  |       |  |                      |  |     |

9 8 7 6 5 4 3 2 1