

9 8 7 6 5 4 3 2 1

G

F

E

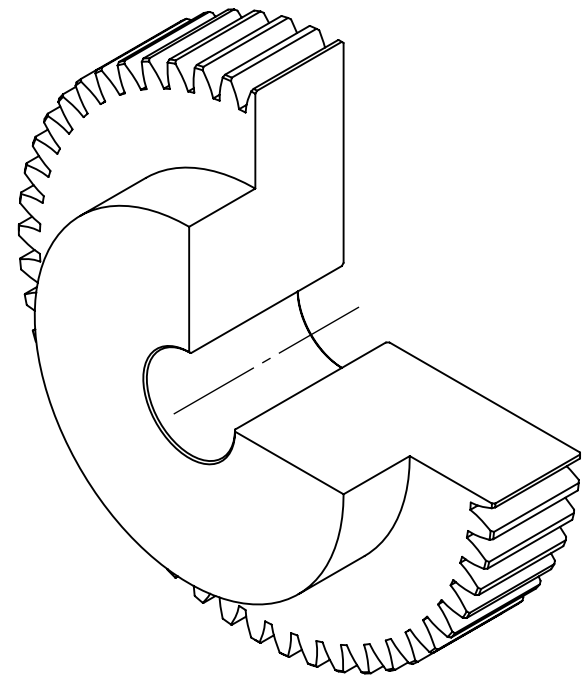
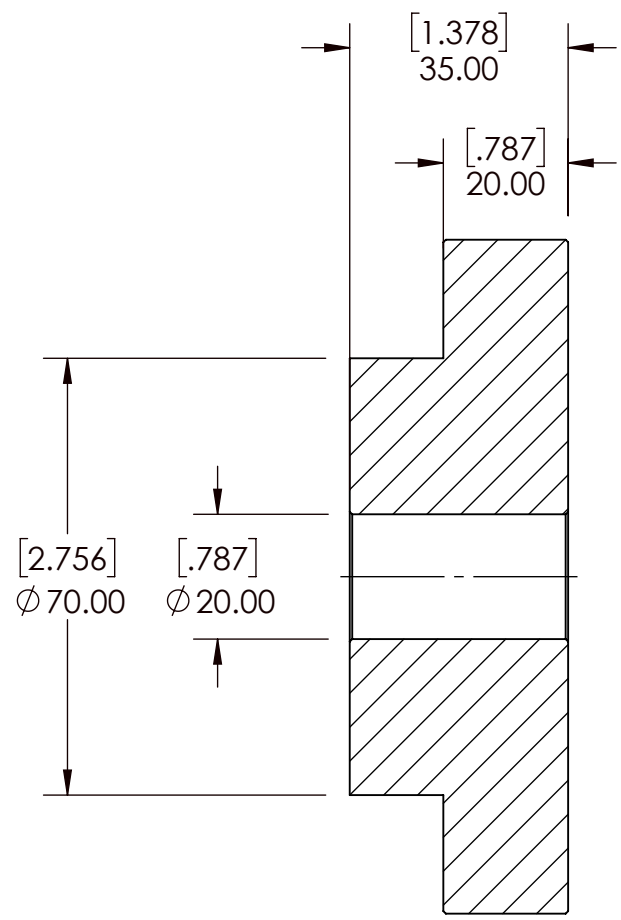
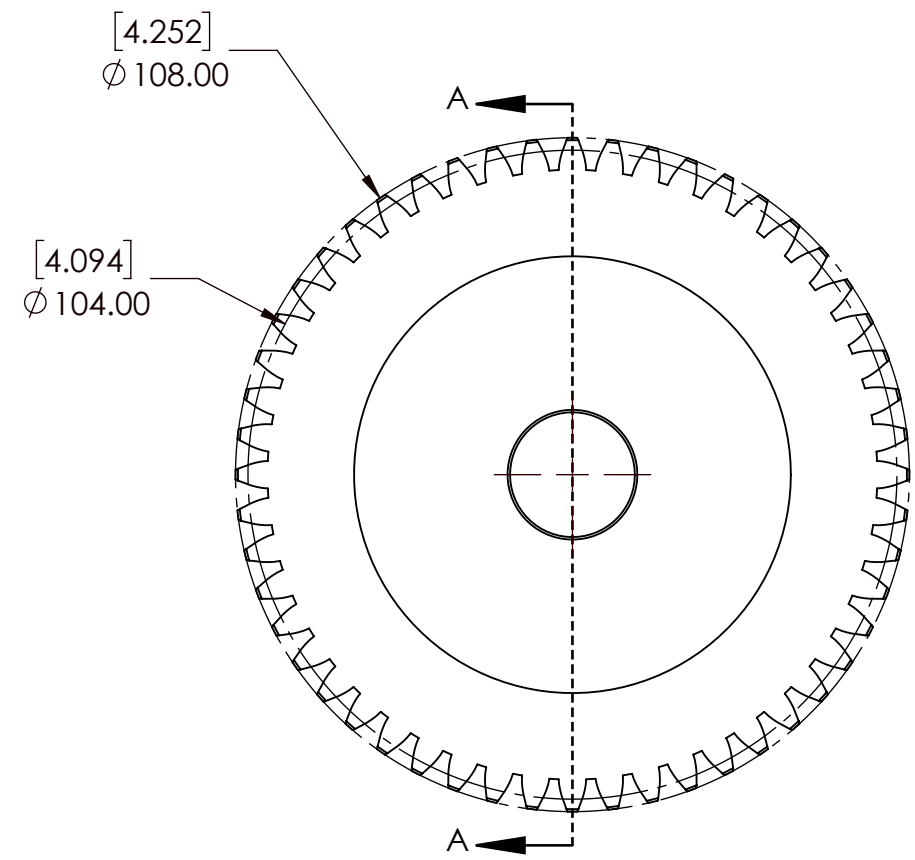
D

C

B

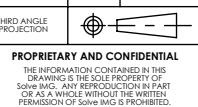
A

9 8 7 6 5 4 3 2 1



SECTION A-A

| SPUR GEAR SPECIFICATIONS | | WEIGHT | | DATE | | BY | | REVISION DESCRIPTION | | REV |
|--------------------------|-----------|--|--|-------------------|--|-------|--|----------------------|--|-------|
| UNITS | mm (INCH) | 3.69 LBS | | | | | | | | |
| MODULE | 2 | STEEL | | | | | | | | |
| PRESSURE ANGLE | 20° | N/A | | | | | | | | |
| NUMBER OF TEETH | 52 | DRAWN SEC 08/28/2025 | | | | | | | | |
| PITCH DIAMETER | 104mm | CHECKED SEC 08/28/2025 | | | | | | | | |
| HUB TYPE | B | APPROVED | | | | | | | | |
| MAX TORQUE (Nm) | 64.80 Nm | THIRD ANGLE PROJECTION | | | | | | | | |
| TOOTH TYPE | STRAIGHT | DWG. NO. | | | | | | | | |
| MAX RIM SPEED | 12 M/S | PROPRIETARY AND CONFIDENTIAL | | | | | | | | |
| | | THE INFORMATION CONTAINED IN THIS DRAWING IS THE SOLE PROPERTY OF SOLVE IMG. ANY REPRODUCTION IN PART OR AS A WHOLE WITHOUT THE WRITTEN PERMISSION OF SOLVE IMG IS PROHIBITED. | | ITEM DESCRIPTION: | | M2B52 | | SCALE 1:1 | | REV - |



M2B52

SCALE 1:1
REV -