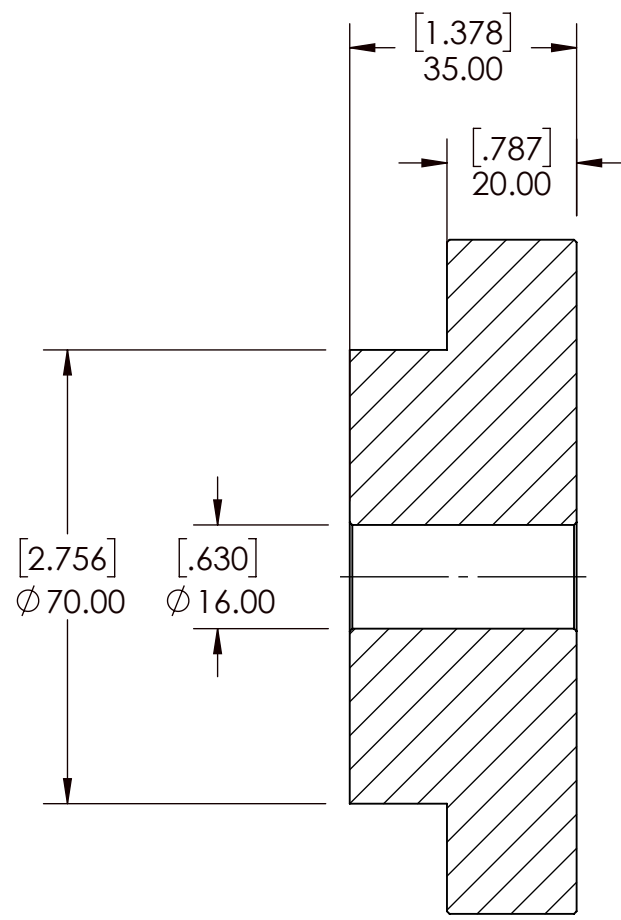
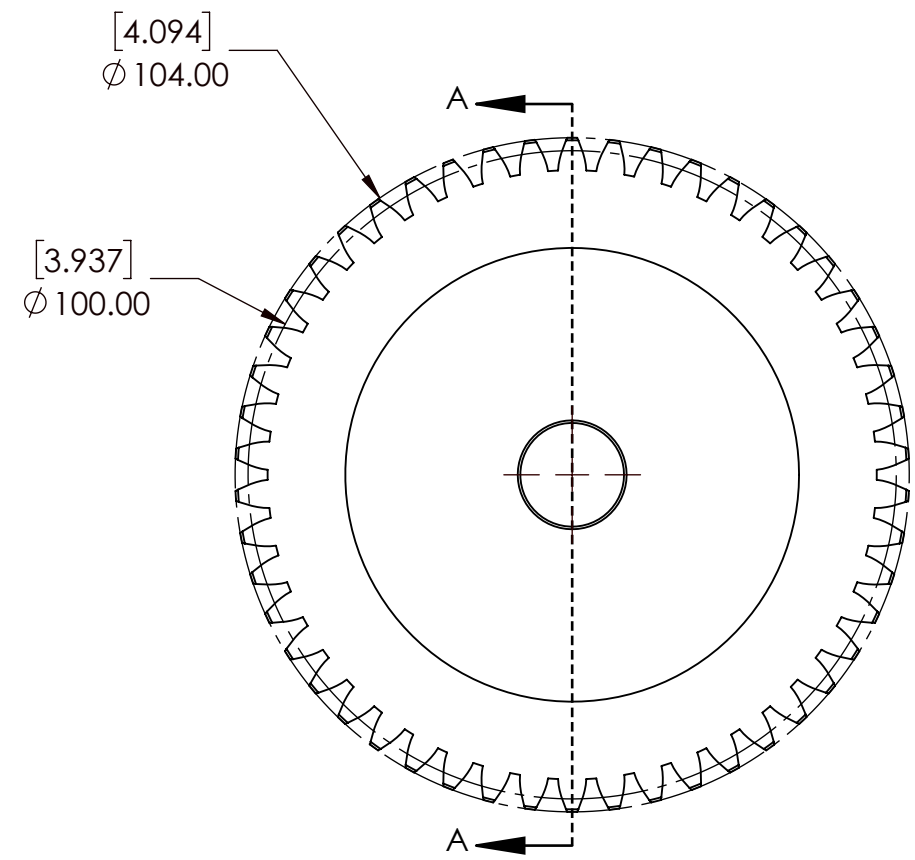


9 8 7 6 5 4 3 2 1

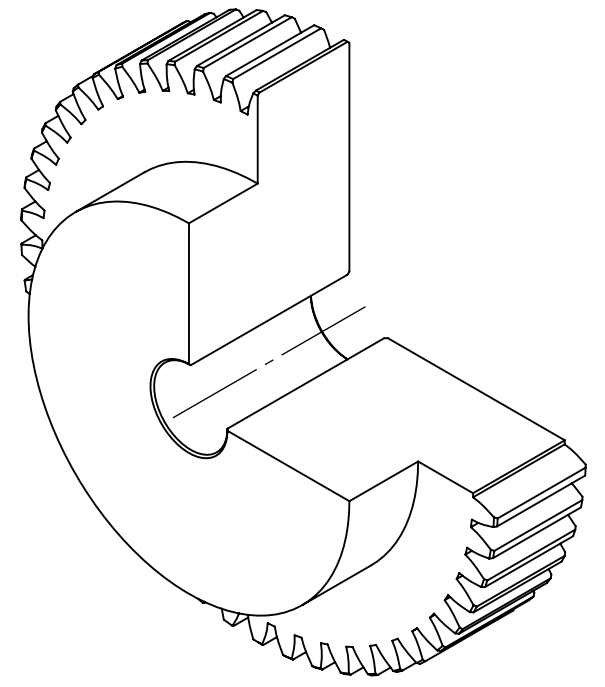
G F E D C B A

G F E D C B A

G F E D C B A



SECTION A-A



SPUR GEAR SPECIFICATIONS		WEIGHT		DATE		BY		REVISION DESCRIPTION		REV
UNITS	mm (INCH)	3.54 LBS								
MODULE	2	MATERIAL	STEEL							
PRESSURE ANGLE	20°	COATING	N/A							
NUMBER OF TEETH	50	DRAWN	SEC	08/28/2025						
PITCH DIAMETER	100mm	CHECKED	SEC	08/28/2025						
HUB TYPE	B	APPROVED								
MAX TORQUE (Nm)	57.60 Nm			ITEM DESCRIPTION:		M2B50		SCALE		1:1
TOOTH TYPE	STRAIGHT									1
MAX RIM SPEED	12 M/S	DWG. NO.		PROPRIETARY AND CONFIDENTIAL				REV		-

9 8 7 6 5 4 3 2 1