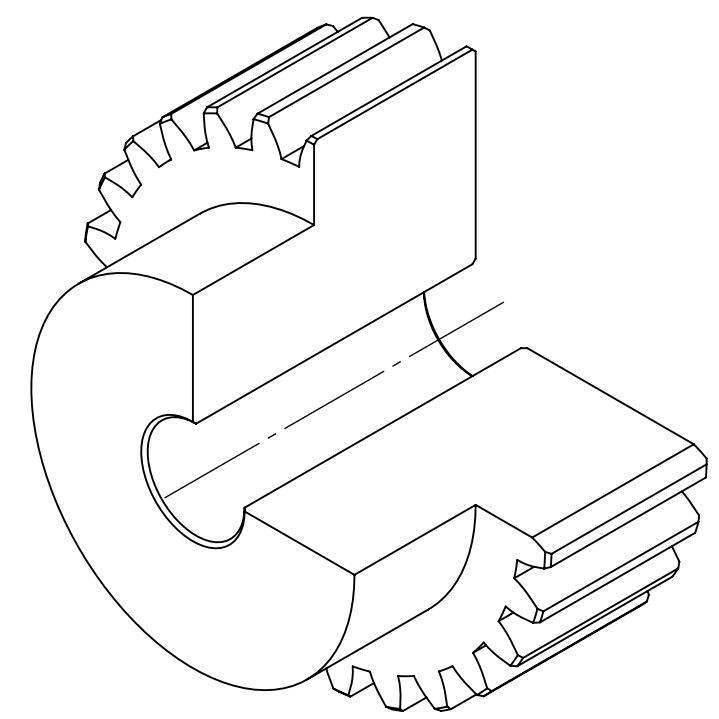
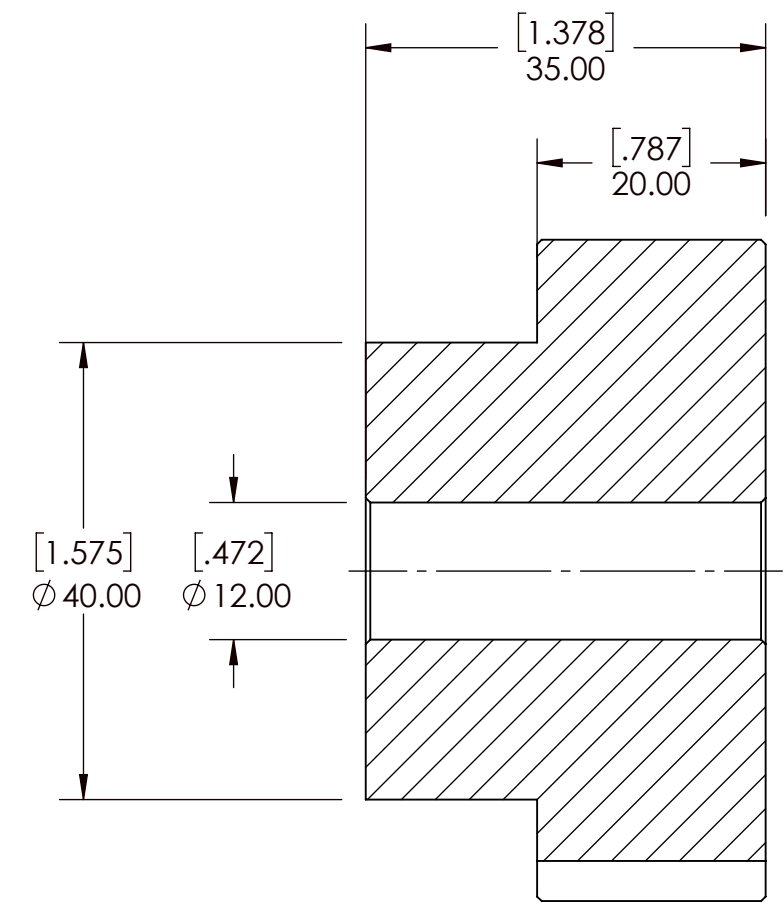
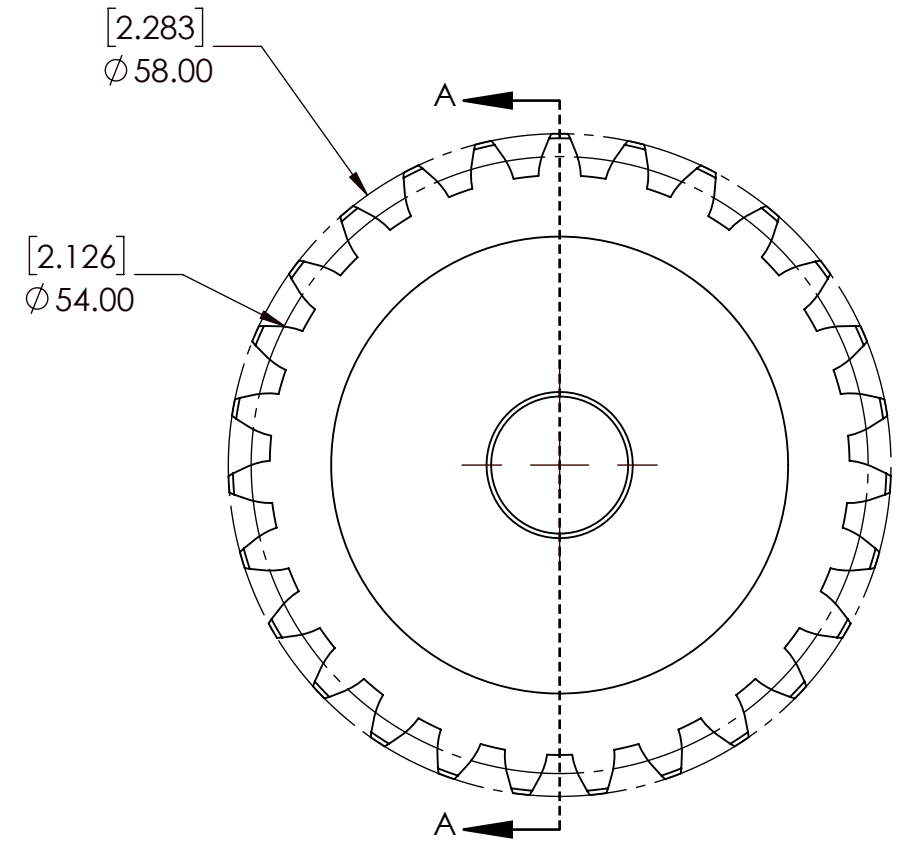


9 8 7 6 5 4 3 2 1

G F E D C B A



SECTION A-A

SPUR GEAR SPECIFICATIONS		WEIGHT		1.05 LBS	
UNITS	mm (INCH)	MATERIAL	STEEL		
MODULE	2	COATING	N/A		
PRESSURE ANGLE	20°	DRAWN	SEC	08/28/2025	
NUMBER OF TEETH	27	CHECKED	SEC	08/28/2025	
PITCH DIAMETER	54mm	APPROVED			
HUB TYPE	B	THIRD ANGLE PROJECTION			
MAX TORQUE (Nm)	13.00 Nm	DATE	BY	REVISION DESCRIPTION	
TOOTH TYPE	STRAIGHT	ITEM DESCRIPTION:		M2B27	
MAX RIM SPEED	12 M/S	DWG. NO.	PROPRIETARY AND CONFIDENTIAL		SCALE
			THE INFORMATION CONTAINED IN THIS DRAWING IS THE SOLE PROPERTY OF SOLVE IMG. ANY REPRODUCTION IN PART OR AS A WHOLE WITHOUT THE WRITTEN PERMISSION OF SOLVE IMG IS PROHIBITED.		1:1
					REV
					-

9 8 7 6 5 4 3 2 1

A B C D E F G