

9 8 7 6 5 4 3 2 1

G

F

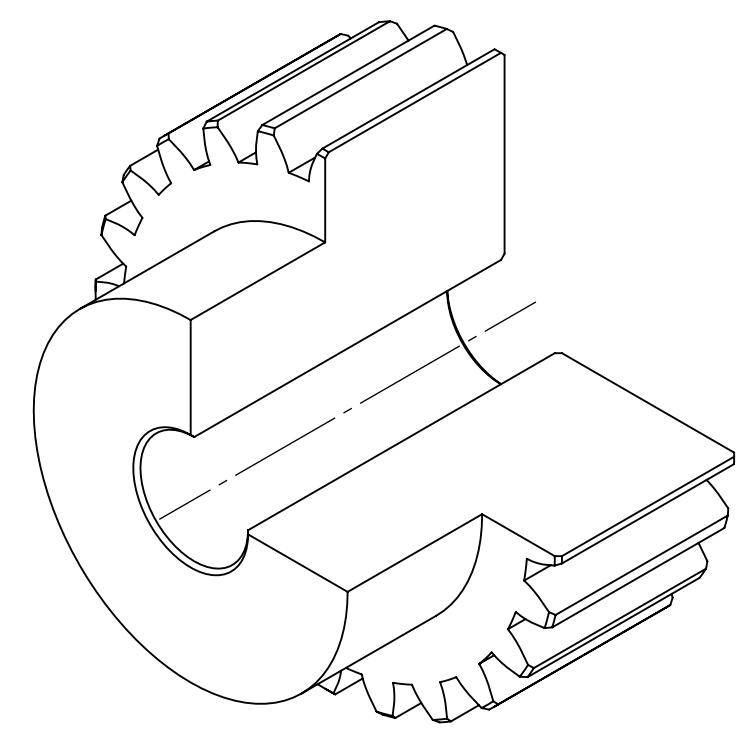
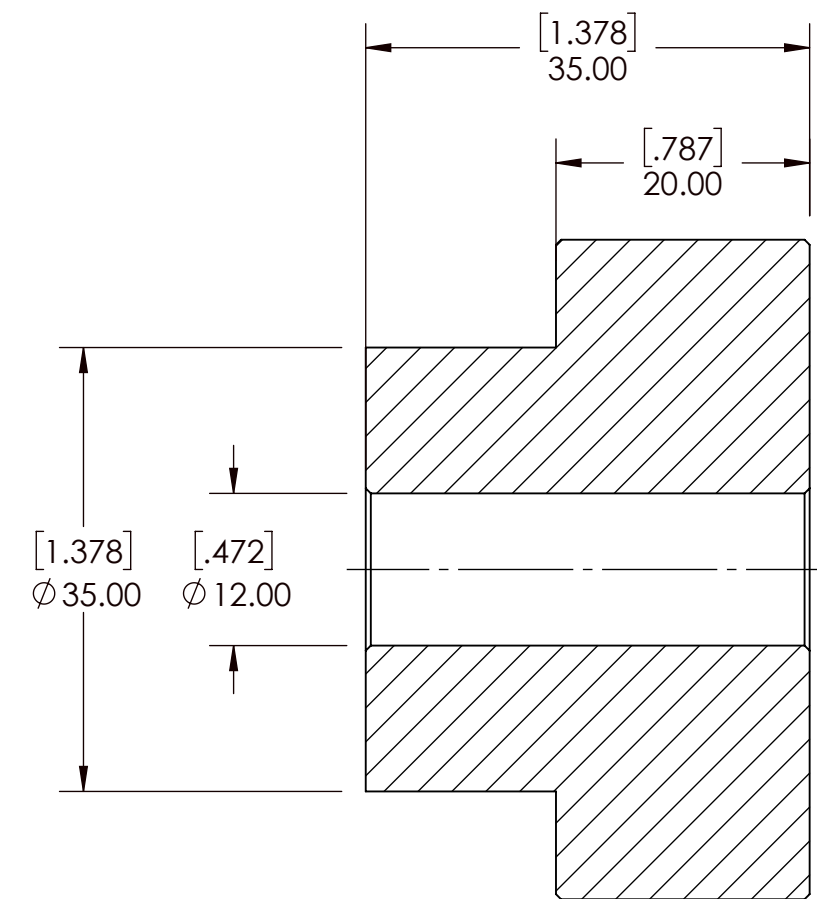
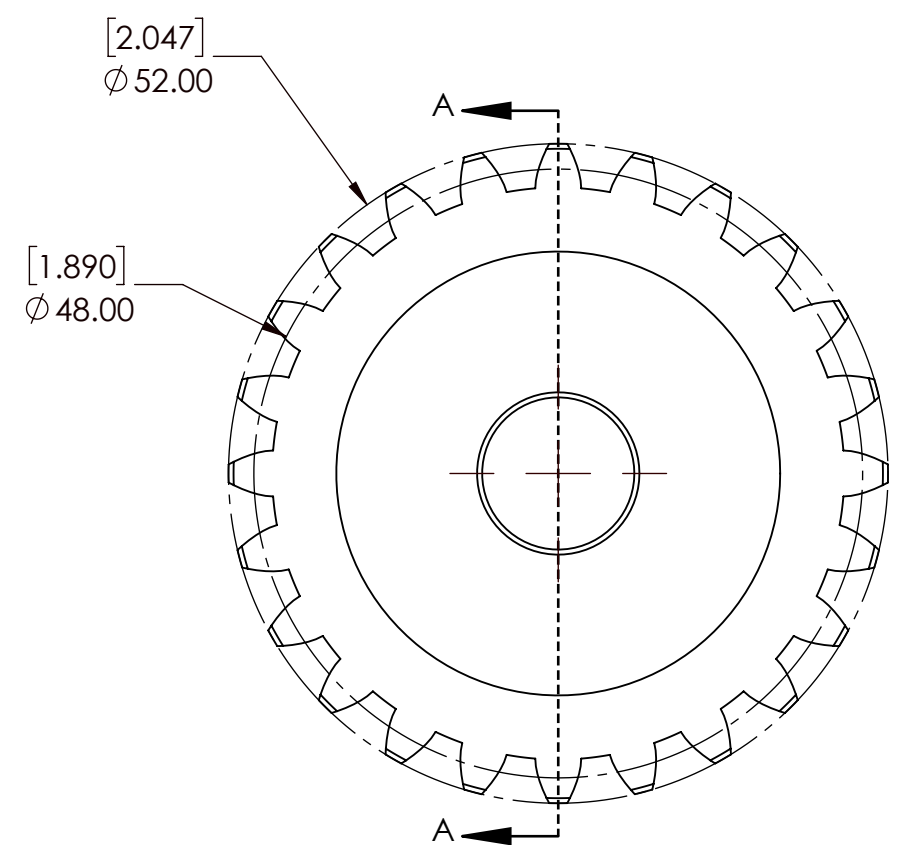
E

D

C

B

A



SECTION A-A

| SPUR GEAR SPECIFICATIONS |           | WEIGHT   |  | 0.81 LBS   |                |                   |    |                      |     |
|--------------------------|-----------|----------|--|--|----------------|-------------------|----|----------------------|-----|
| UNITS                    | mm (INCH) |          |  | MATERIAL   | STEEL          |                   |    |                      |     |
| MODULE                   | 2         |          |  | COATING  | N/A            |                   |    |                      |     |
| PRESSURE ANGLE           | 20°       | SIZE     |  | DRAWN  | SEC 08/28/2025 |                   |    |                      |     |
| NUMBER OF TEETH          | 24        | CHECKED  |  | SEC 08/28/2025   |                |                   |    |                      |     |
| PITCH DIAMETER           | 48mm      |          |  | APPROVED   |                | DATE              | BY | REVISION DESCRIPTION |     |
| HUB TYPE                 | B         |          |  |  |                | ITEM DESCRIPTION: |    |                      |     |
| MAX TORQUE (Nm)          | 9.90 Nm   |          |  |  |                |                   |    |                      |     |
| TOOTH TYPE               | STRAIGHT  |          |  |  |                |                   |    |                      |     |
| MAX RIM SPEED            | 12 M/S    |          |  |  |                |                   |    |                      |     |
|                          |           | DWG. NO. |  | <b>PROPRIETARY AND CONFIDENTIAL</b><br><small>THE INFORMATION CONTAINED IN THIS DRAWING IS THE SOLE PROPERTY OF SOLVE IMG. ANY REPRODUCTION IN PART OR AS A WHOLE WITHOUT THE WRITTEN PERMISSION OF SOLVE IMG IS PROHIBITED.</small> |                | M2B24             |    | SCALE                | REV |
|                          |           |          |  |  |                |                   |    | 1:1                  | -   |

9 8 7 6 5 4 3 2 1