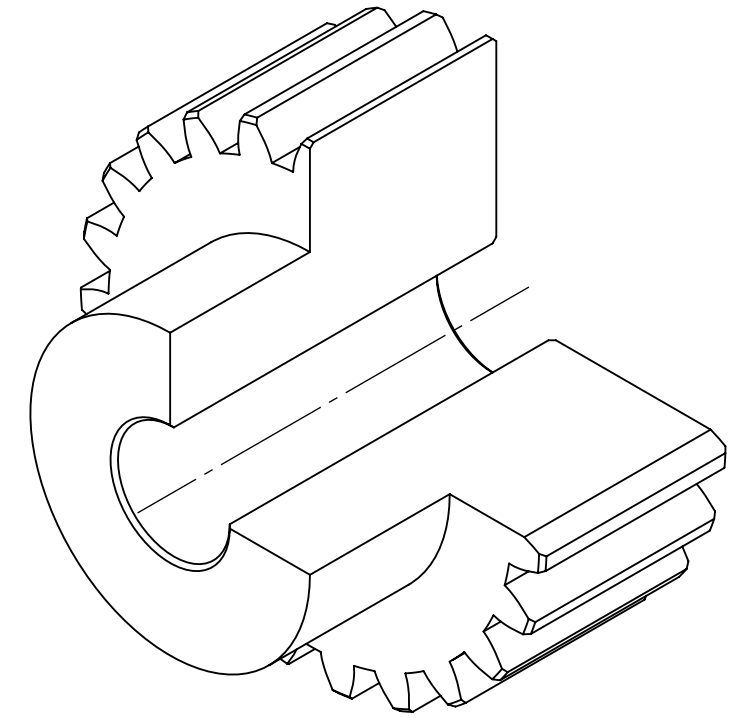
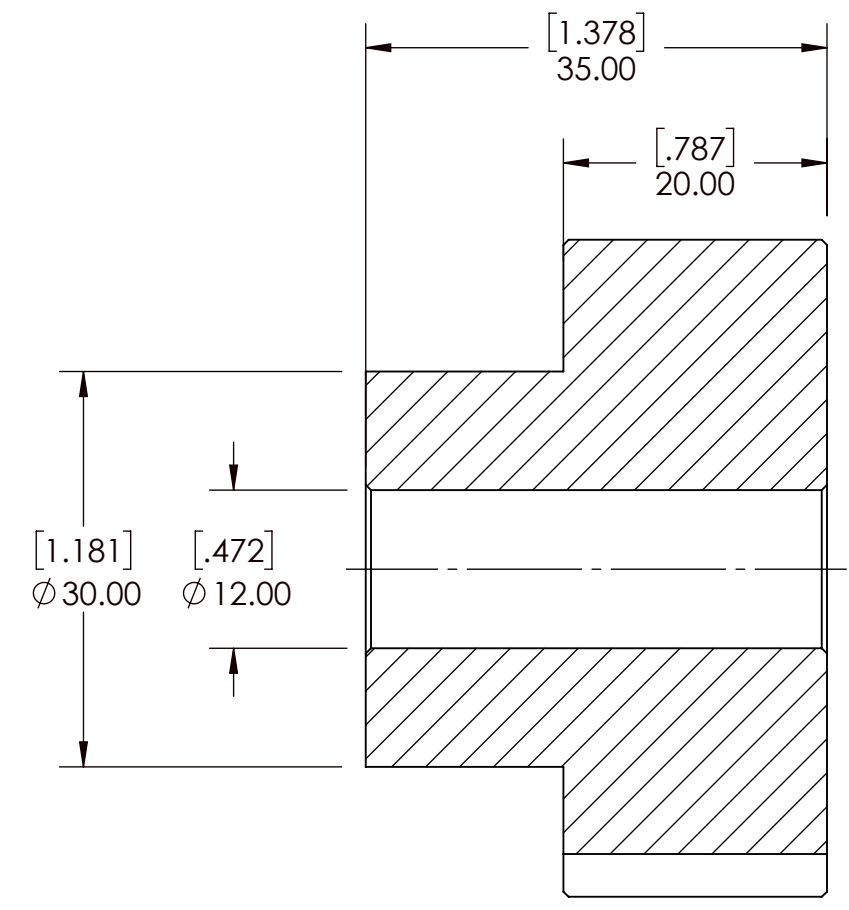
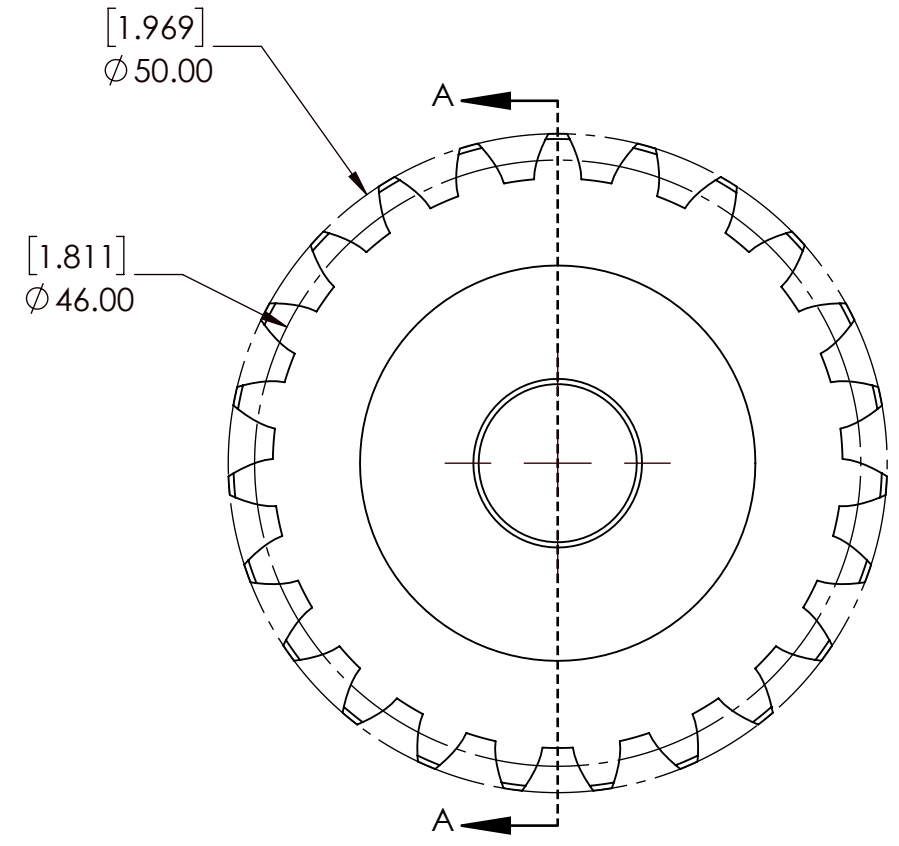


9 8 7 6 5 4 3 2 1

G F E D C B A



SECTION A-A

SPUR GEAR SPECIFICATIONS		WEIGHT		0.69 LBS	
UNITS	mm (INCH)	MATERIAL	STEEL		
MODULE	2	COATING	N/A		
PRESSURE ANGLE	20°	DRAWN	SEC	08/28/2025	
NUMBER OF TEETH	23	CHECKED	SEC	08/28/2025	
PITCH DIAMETER	46mm	APPROVED			
HUB TYPE	B	THIRD ANGLE PROJECTION			
MAX TORQUE (Nm)	8.90 Nm	DATE	BY	REVISION DESCRIPTION	
TOOTH TYPE	STRAIGHT	ITEM DESCRIPTION:		M2B23	REV
MAX RIM SPEED	12 M/S	DWG. NO.			SCALE
					1:1
					REV
		<small>PROPRIETARY AND CONFIDENTIAL THE INFORMATION CONTAINED IN THIS DRAWING IS THE SOLE PROPERTY OF SOLVE IMG. ANY REPRODUCTION IN PART OR AS A WHOLE WITHOUT THE WRITTEN PERMISSION OF SOLVE IMG IS PROHIBITED.</small>			-

9 8 7 6 5 4 3 2 1

A B C D E F G