

9 8 7 6 5 4 3 2 1

G

F

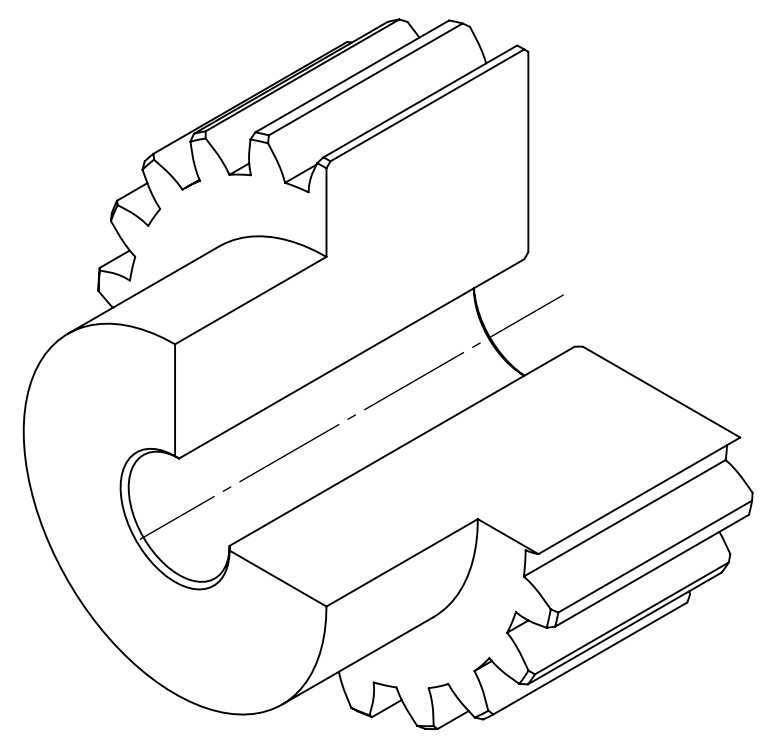
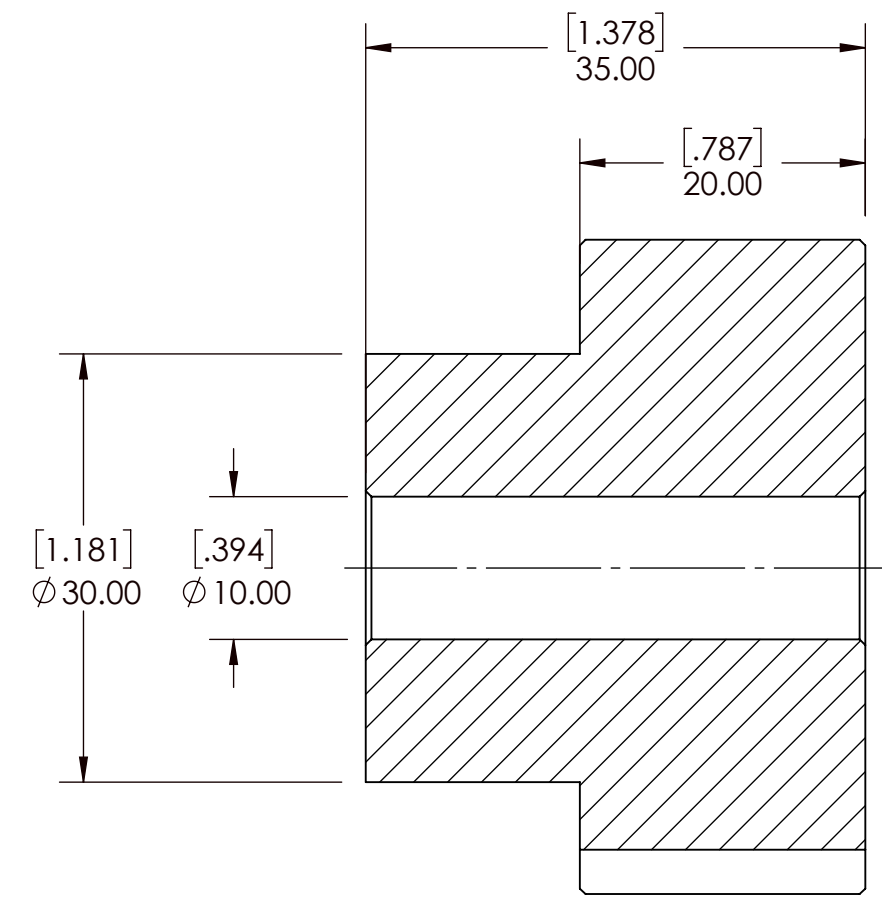
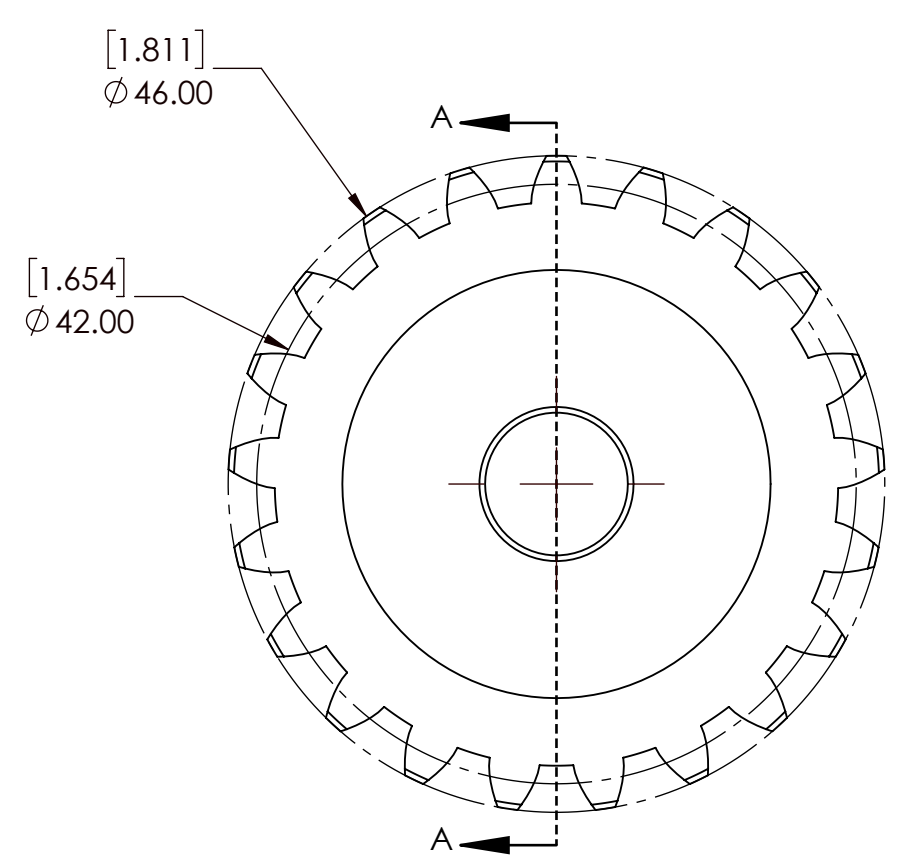
E

D

C

B

A



SECTION A-A

SPUR GEAR SPECIFICATIONS		WEIGHT		DATE		BY		REVISION DESCRIPTION		REV
UNITS	mm (INCH)	0.62 LBS								
MODULE	2	STEEL								
PRESSURE ANGLE	20°	N/A								
NUMBER OF TEETH	21	DRAWN	SEC	08/28/2025						
PITCH DIAMETER	42mm	CHECKED	SEC	08/28/2025						
HUB TYPE	B	APPROVED								
MAX TORQUE (Nm)	7.20 Nm					ITEM DESCRIPTION:		M2B21		SCALE
TOOTH TYPE	STRAIGHT									1:1
MAX RIM SPEED	12 M/S	DWG. NO.		PROPRIETARY AND CONFIDENTIAL <small>THE INFORMATION CONTAINED IN THIS DRAWING IS THE SOLE PROPERTY OF SOLVE IMG. ANY REPRODUCTION IN PART OR AS A WHOLE WITHOUT THE WRITTEN PERMISSION OF SOLVE IMG IS PROHIBITED.</small>						REV
										-

9 8 7 6 5 4 3 2 1

G
F
E
D
C
B
A