

9 8 7 6 5 4 3 2 1

G

F

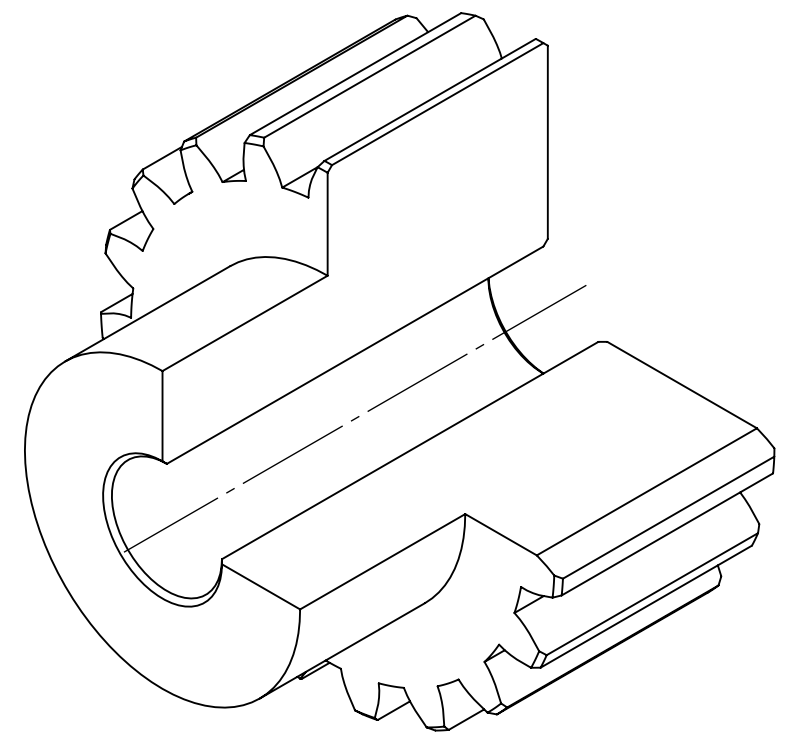
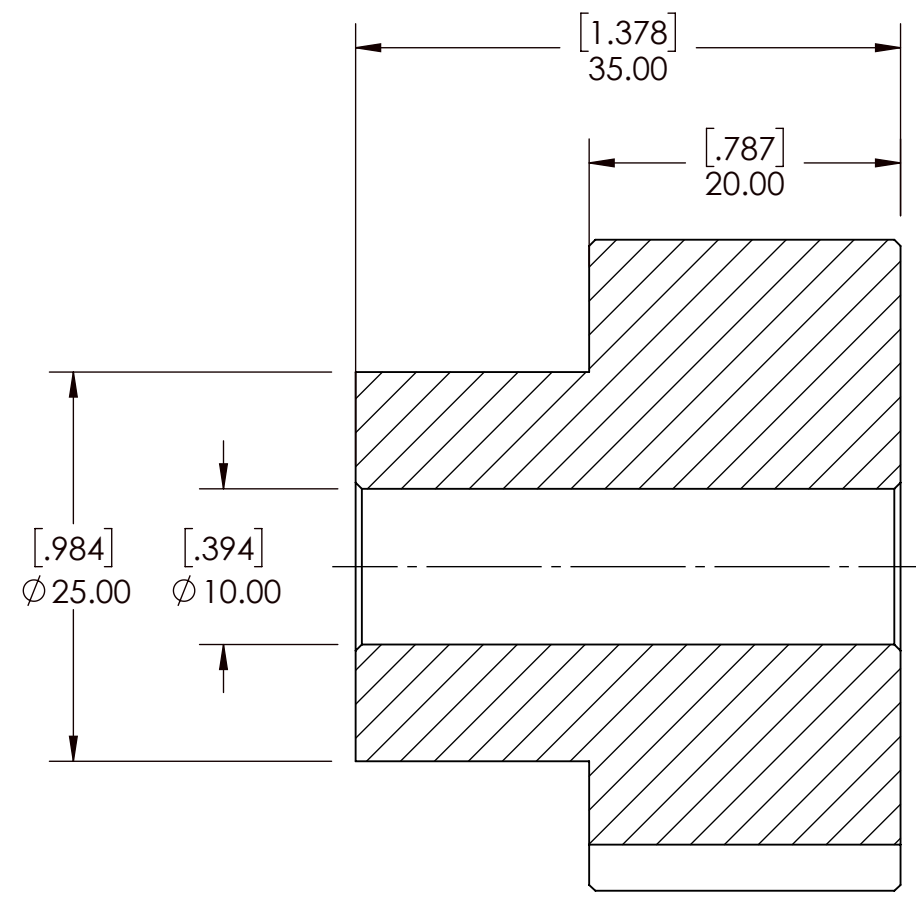
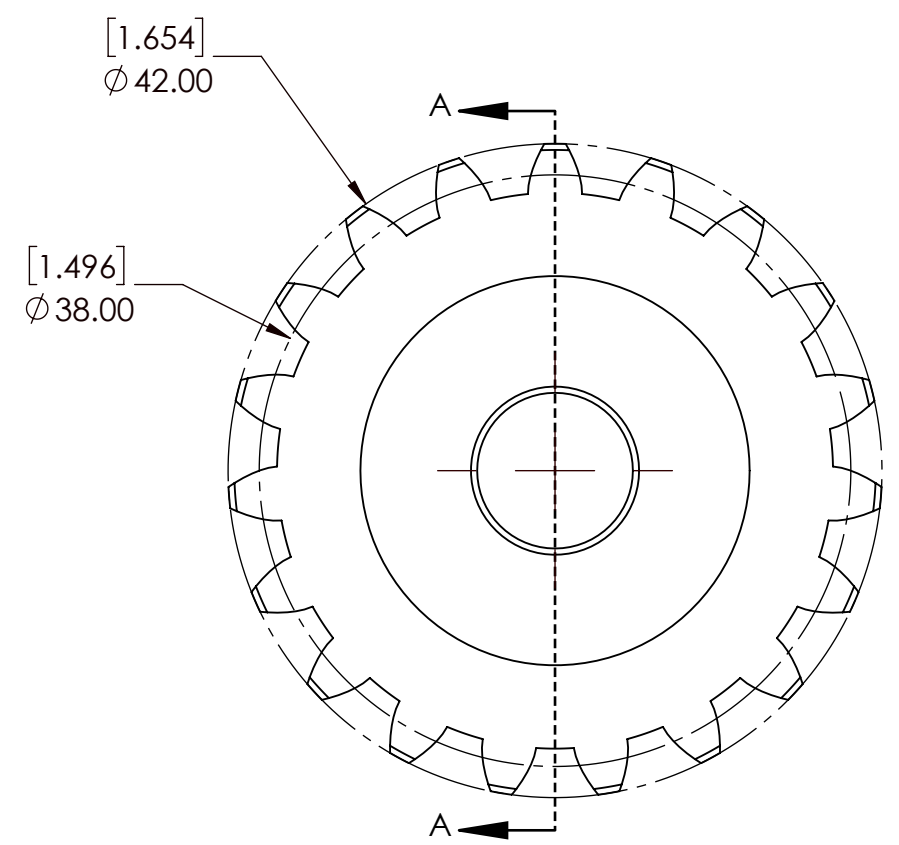
E

D

C

B

A



SECTION A-A

SPUR GEAR SPECIFICATIONS		WEIGHT		DATE		BY		REVISION DESCRIPTION		REV
UNITS	mm (INCH)	0.48 LBS								
MODULE	2	STEEL								
PRESSURE ANGLE	20°	N/A								
NUMBER OF TEETH	19	DRAWN SEC		08/28/2025						
PITCH DIAMETER	38mm	CHECKED SEC		08/28/2025						
HUB TYPE	B	APPROVED								
MAX TORQUE (Nm)	5.70 Nm	THIRD ANGLE PROJECTION								
TOOTH TYPE	STRAIGHT	DATE								
MAX RIM SPEED	12 M/S	BY								
		DWG. NO.								
		M2B19								
		SCALE								
		1:1								
		REV								
		-								

9 8 7 6 5 4 3 2 1

G

F

E

D

C

B

A