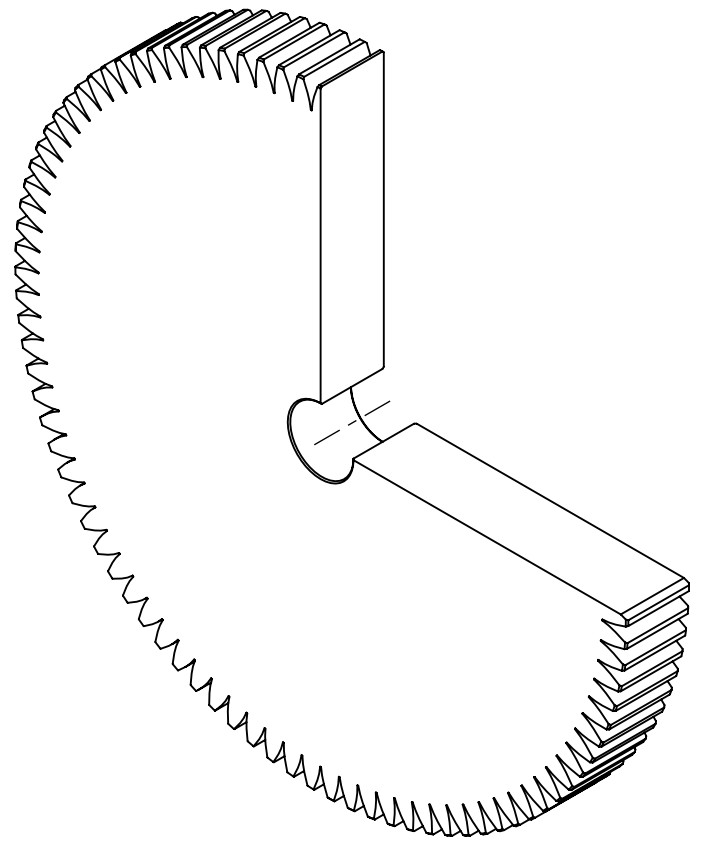
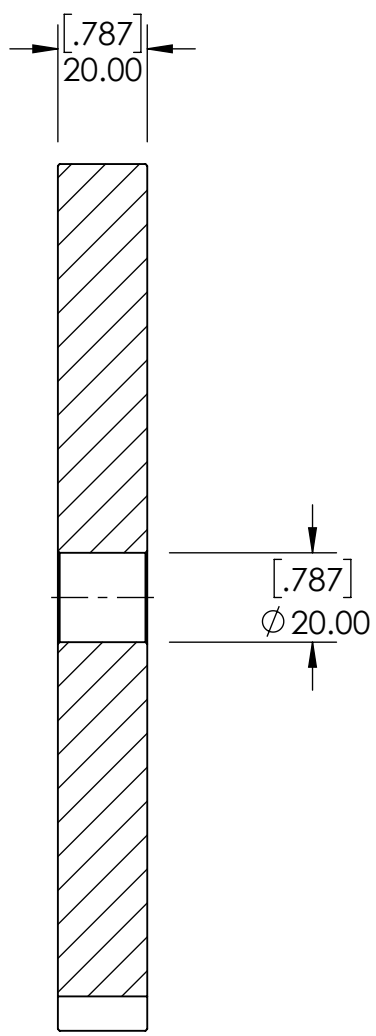
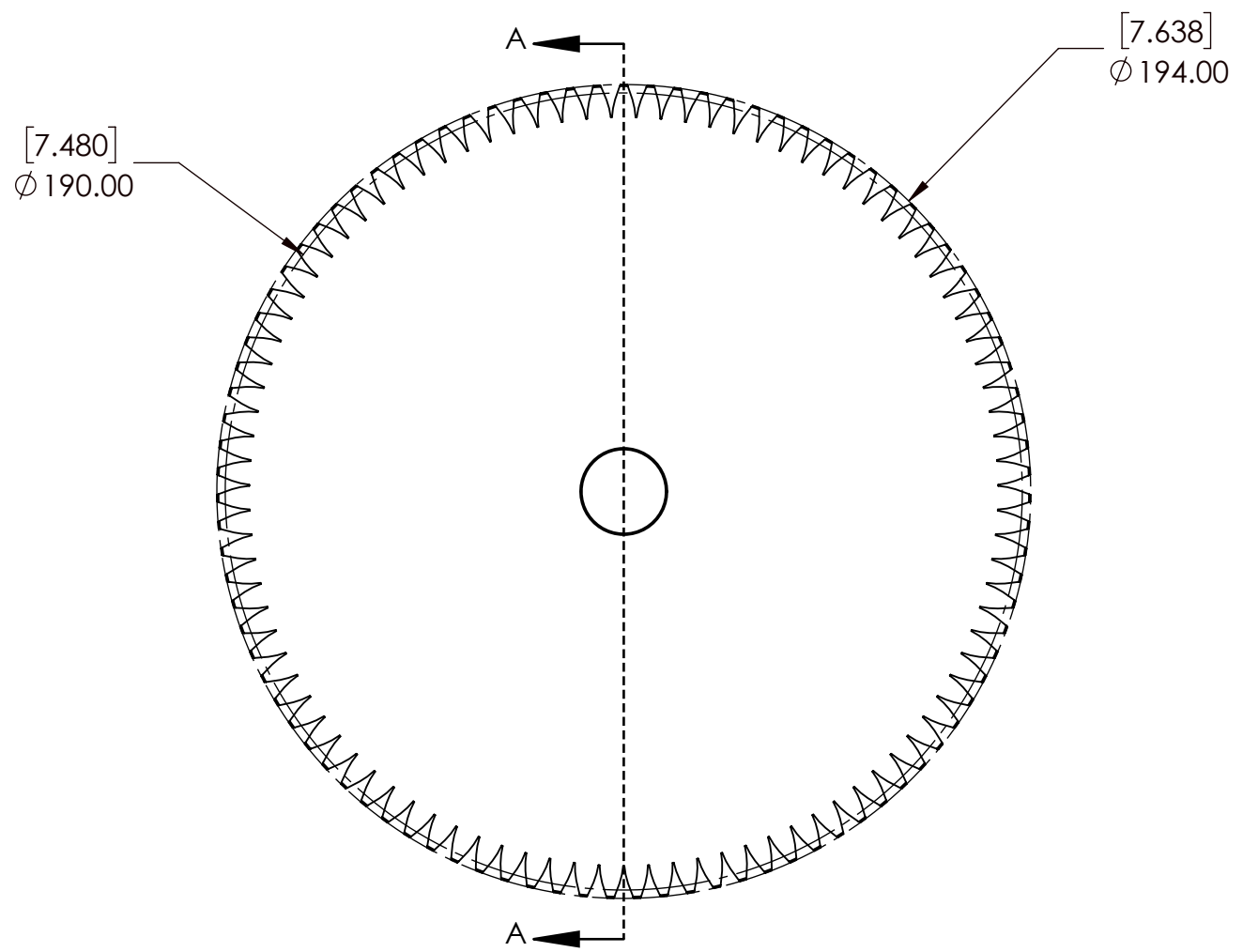


9 8 7 6 5 4 3 2 1

G F E D C B A



A B C D E F G

9 8 7 6 5 4 3 2 1

SPUR GEAR SPECIFICATIONS		SECTION A-A		WEIGHT		9.53 LBS	
UNITS	mm	SOLVE		MATERIAL	STEEL		
MODULE	2	INDUSTRIAL MOTION GROUP		COATING	N/A		
PRESSURE ANGLE	20°	SIZE	PTI	DRAWN	SEC	08/29/2025	
NUMBER OF TEETH	95			CHECKED	SEC	08/29/2025	
PITCH DIAMETER	190mm	APPROVED		DATE		BY	REVISION DESCRIPTION
HUB TYPE	A			ITEM DESCRIPTION:		M2A95	
MAX TORQUE (Nm)	181 Nm						
TOOTH TYPE	STRAIGHT	DWG. NO.		PROPRIETARY AND CONFIDENTIAL		REV	-
MAX RIM SPEED	12 M/S			<small>THE INFORMATION CONTAINED IN THIS DRAWING IS THE SOLE PROPERTY OF SOLVE IMG. ANY REPRODUCTION IN PART OR AS A WHOLE WITHOUT THE WRITTEN PERMISSION OF SOLVE IMG IS PROHIBITED.</small>			