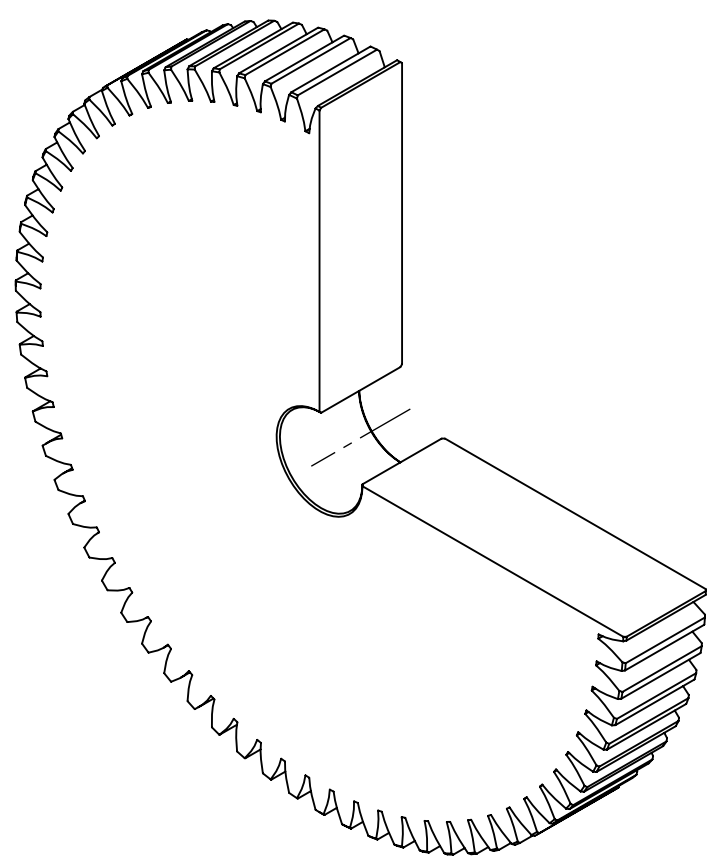
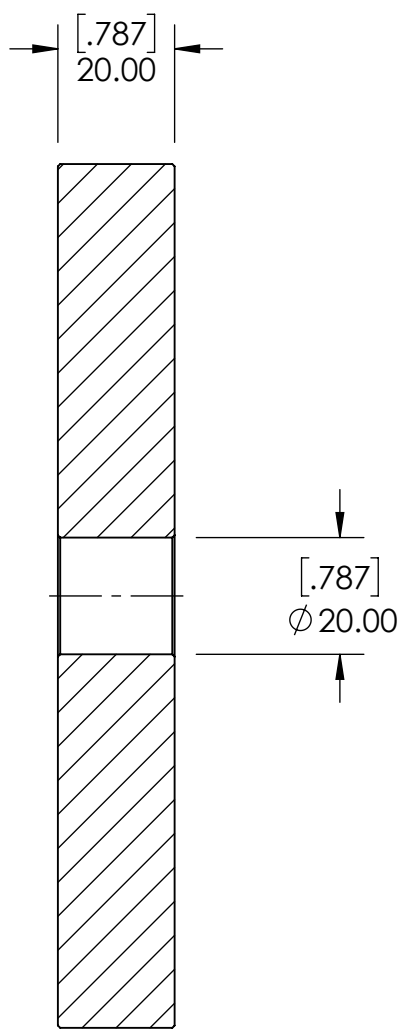
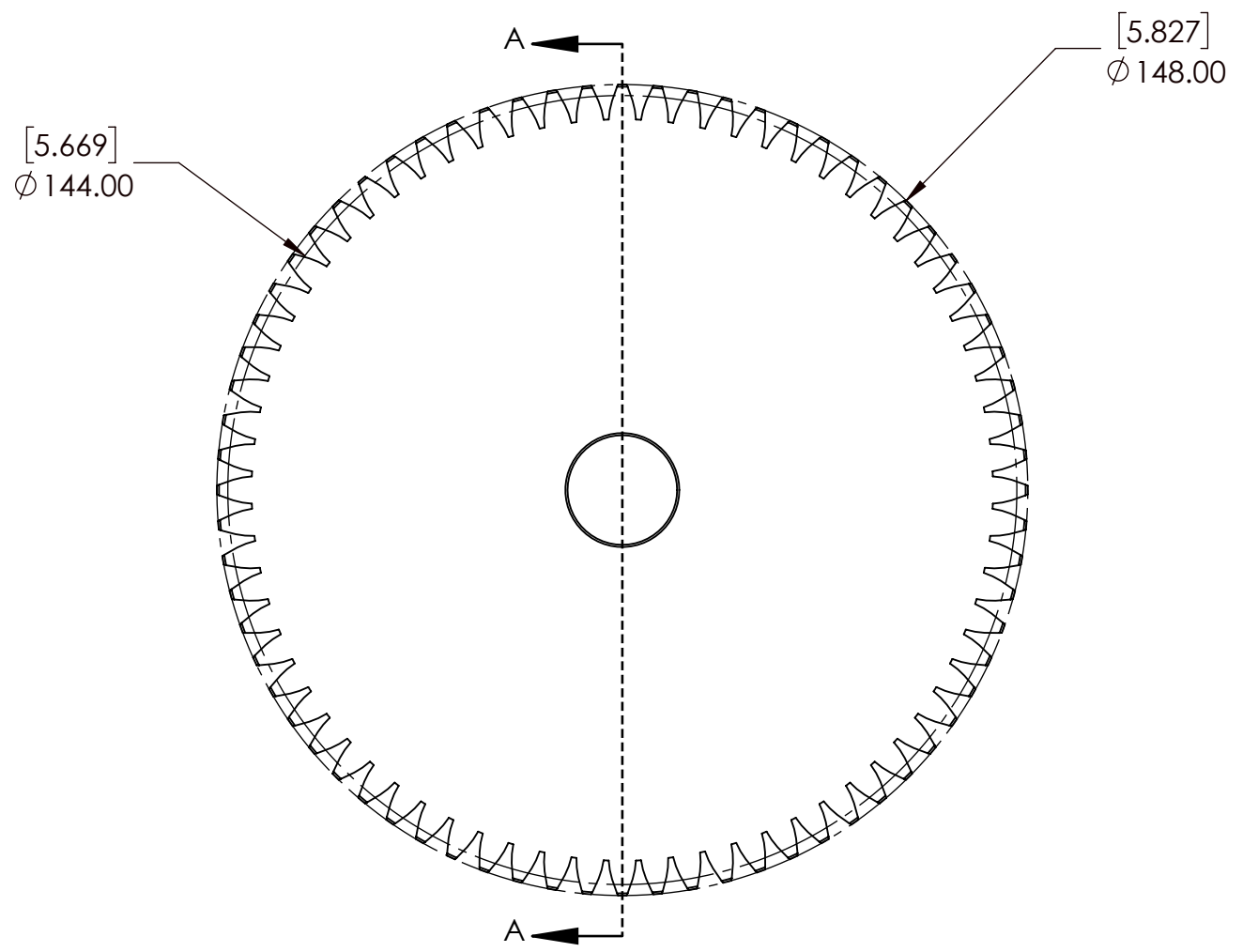


9 8 7 6 5 4 3 2 1

G F E D C B A



A B C D E F G

9 8 7 6 5 4 3 2 1

SPUR GEAR SPECIFICATIONS		SECTION A-A		WEIGHT	5.42 LBS				
UNITS	mm/°/MIN	SOLVE		MATERIAL	STEEL				
MODULE	2	INDUSTRIAL MOTION GROUP		COATING	N/A				
PRESSURE ANGLE	20°			DRAWN	SEC 08/29/2025				
NUMBER OF TEETH	72			CHECKED	SEC 08/29/2025				
PITCH DIAMETER	144mm			APPROVED		DATE	BY	REVISION DESCRIPTION	REV
HUB TYPE	A								
MAX TORQUE (Nm)	135 Nm					ITEM DESCRIPTION:			SCALE
TOOTH TYPE	STRAIGHT					M2A72			1:1
MAX RIM SPEED	12 M/S								REV
									-

PROPRIETARY AND CONFIDENTIAL  
THE INFORMATION CONTAINED IN THIS DRAWING IS THE SOLE PROPERTY OF SOLVE IMG. ANY REPRODUCTION IN PART OR AS A WHOLE WITHOUT THE WRITTEN PERMISSION OF SOLVE IMG IS PROHIBITED.

PTI

DWG. NO.