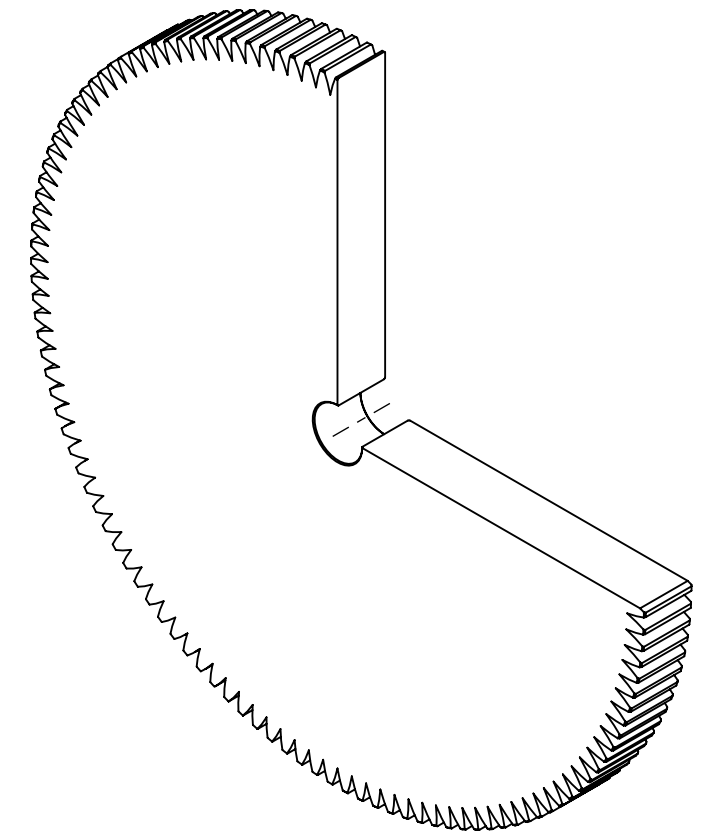
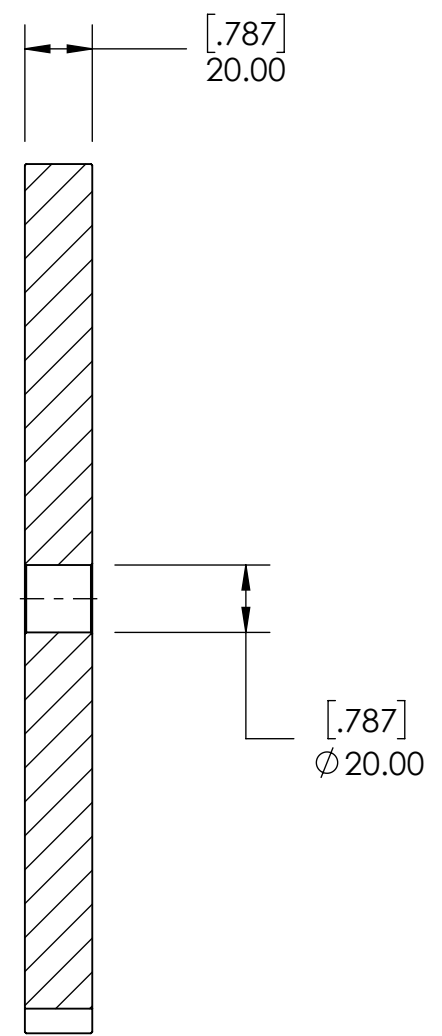
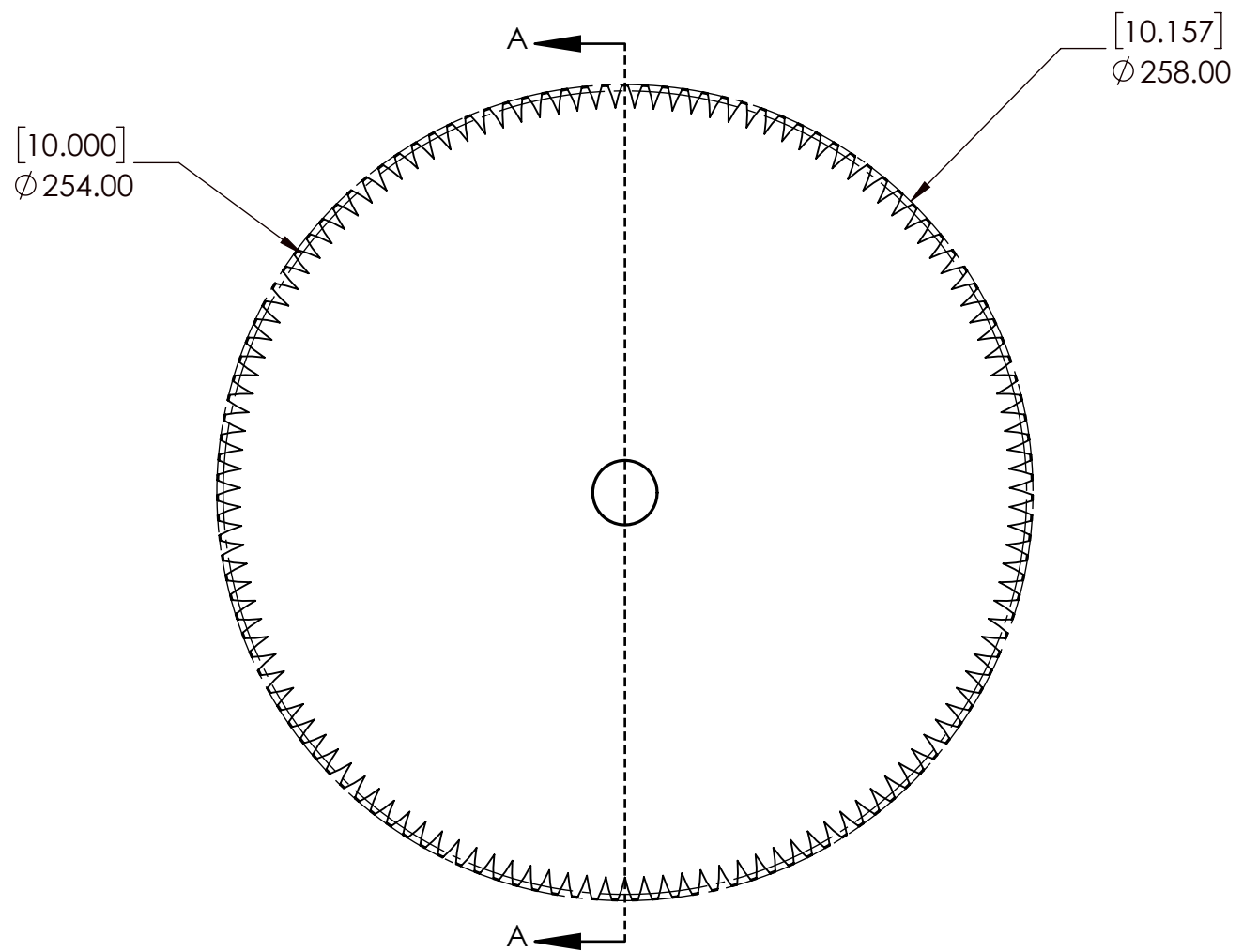


9 8 7 6 5 4 3 2 1

G F E D C B A



A B C D E F G

9 8 7 6 5 4 3 2 1

SPUR GEAR SPECIFICATIONS		WEIGHT		DATE		BY		REVISION DESCRIPTION		REV
UNITS	SECTION A	17.20 LBS								
MODULE	2	STEEL								
PRESSURE ANGLE	20°	N/A		08/29/2025						
NUMBER OF TEETH	127	DRAWN		SEC						
PITCH DIAMETER	254mm	CHECKED		SEC		08/29/2025				
HUB TYPE	A	APPROVED								
MAX TORQUE (Nm)	235 Nm	THIRD ANGLE PROJECTION		DATE		BY		REVISION DESCRIPTION		SCALE
TOOTH TYPE	STRAIGHT	DWG. NO.		ITEM DESCRIPTION:		M2A127				1:1
MAX RIM SPEED	12 M/S	PROPRIETARY AND CONFIDENTIAL		THE INFORMATION CONTAINED IN THIS DRAWING IS THE SOLE PROPERTY OF SOLVE IMG. ANY REPRODUCTION IN PART OR AS A WHOLE WITHOUT THE WRITTEN PERMISSION OF SOLVE IMG IS PROHIBITED.						REV
										-

