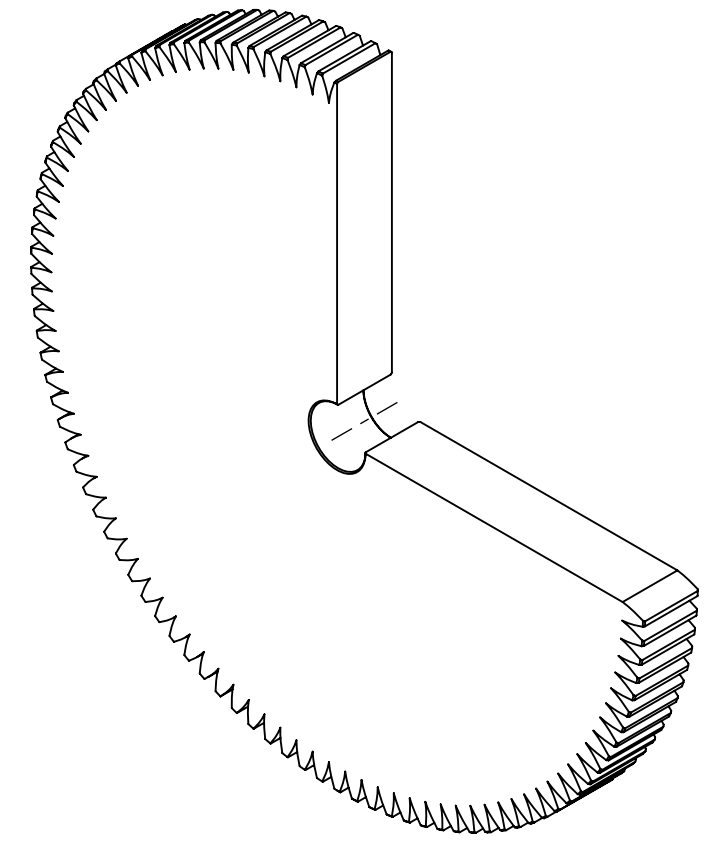
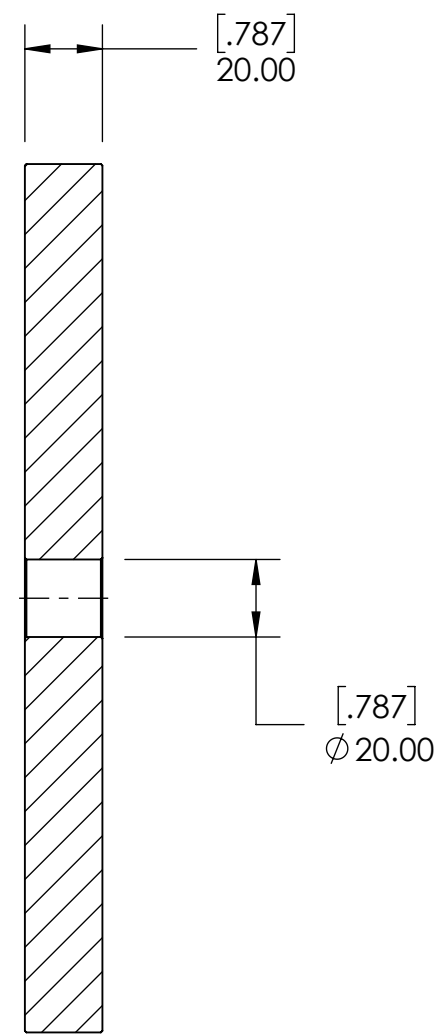
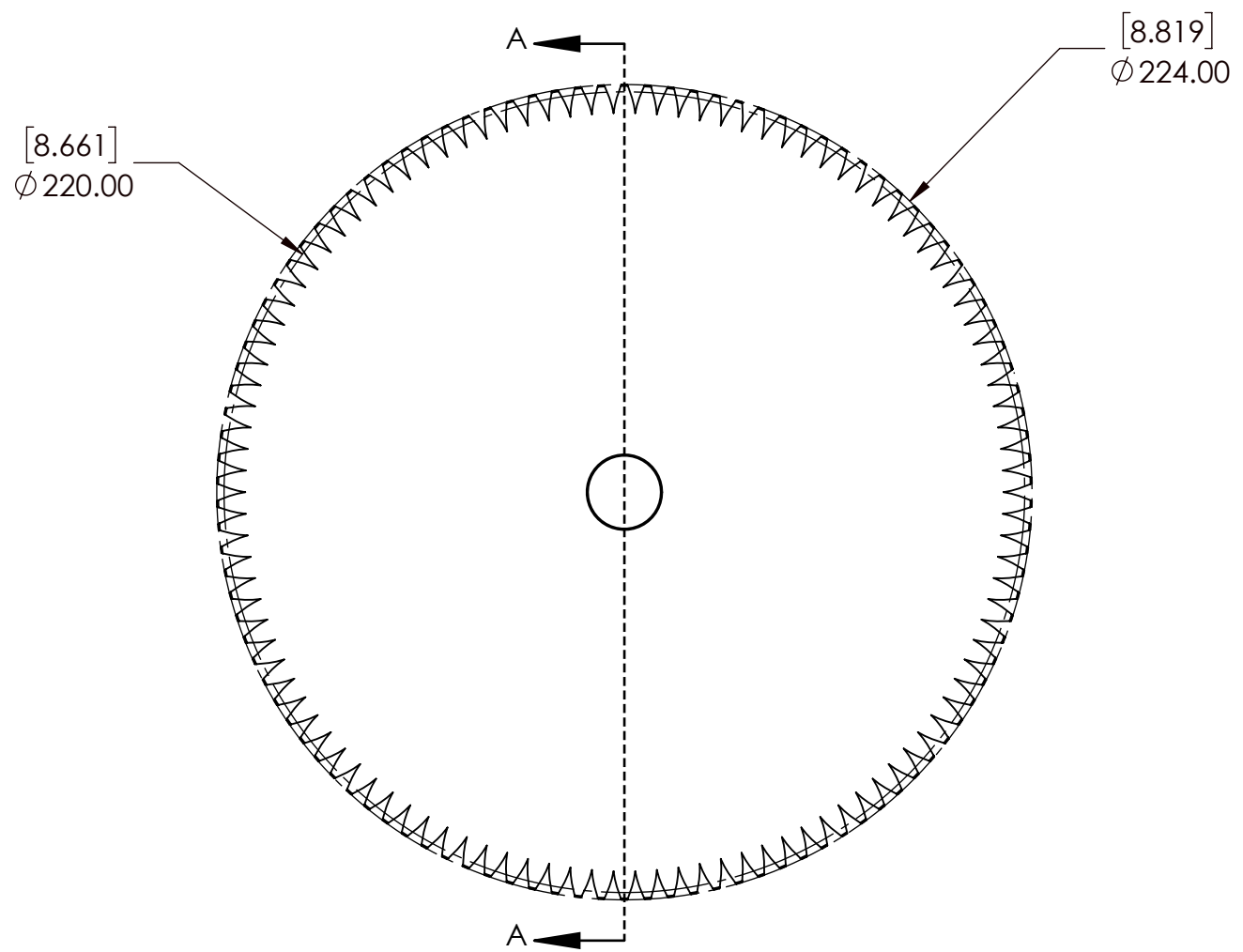


9 8 7 6 5 4 3 2 1

G F E D C B A



A B C D E F G

9 8 7 6 5 4 3 2 1

SPUR GEAR SPECIFICATIONS		WEIGHT		DATE		BY		REVISION DESCRIPTION		REV
UNITS	INCH	MATERIAL	STEEL							
MODULE	2	COATING	N/A							
PRESSURE ANGLE	20°	DRAWN	SEC	08/29/2025						
NUMBER OF TEETH	110	CHECKED	SEC	08/29/2025						
PITCH DIAMETER	220mm	APPROVED								
HUB TYPE	A		ITEM DESCRIPTION:						SCALE	
MAX TORQUE (Nm)	201 Nm		M2A110						1:1	
TOOTH TYPE	STRAIGHT	DWG. NO.		PROPRIETARY AND CONFIDENTIAL				REV		
MAX RIM SPEED	12 M/S			THE INFORMATION CONTAINED IN THIS DRAWING IS THE SOLE PROPERTY OF SOLVE IMG. ANY REPRODUCTION IN PART OR AS A WHOLE WITHOUT THE WRITTEN PERMISSION OF SOLVE IMG IS PROHIBITED.				-		

