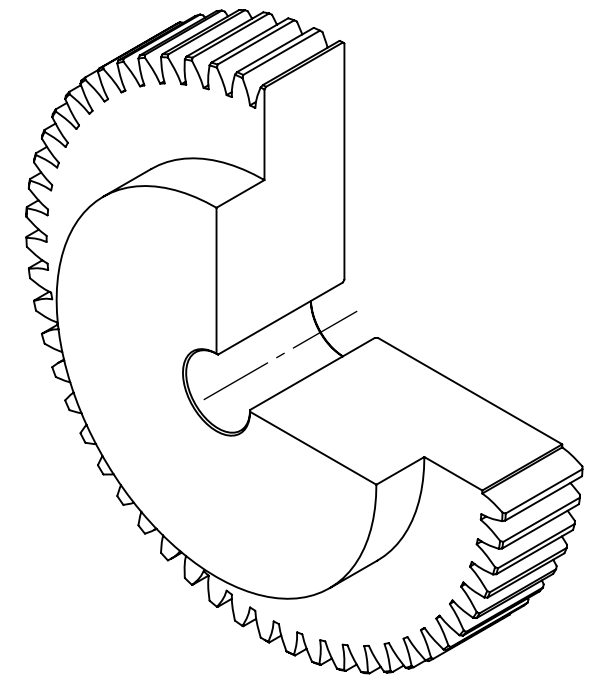
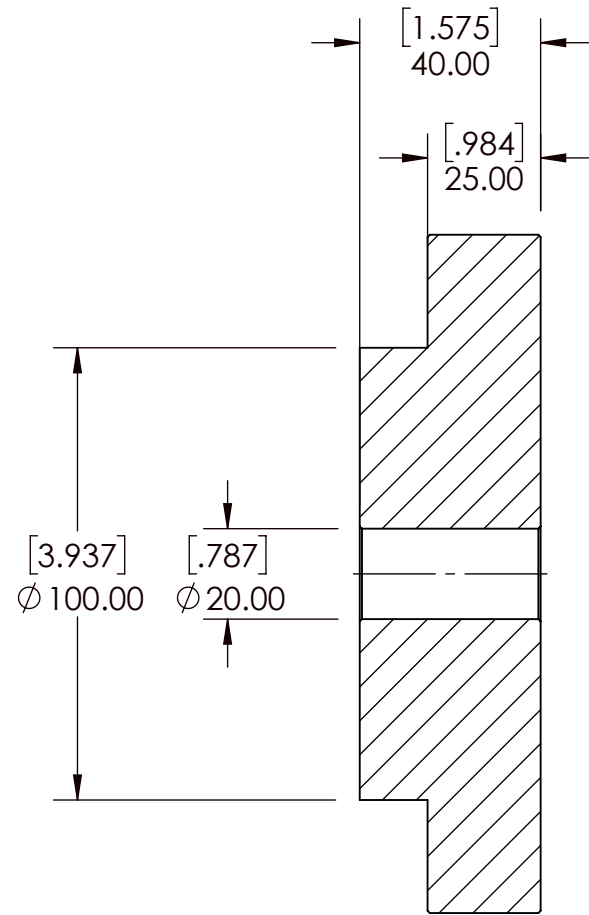
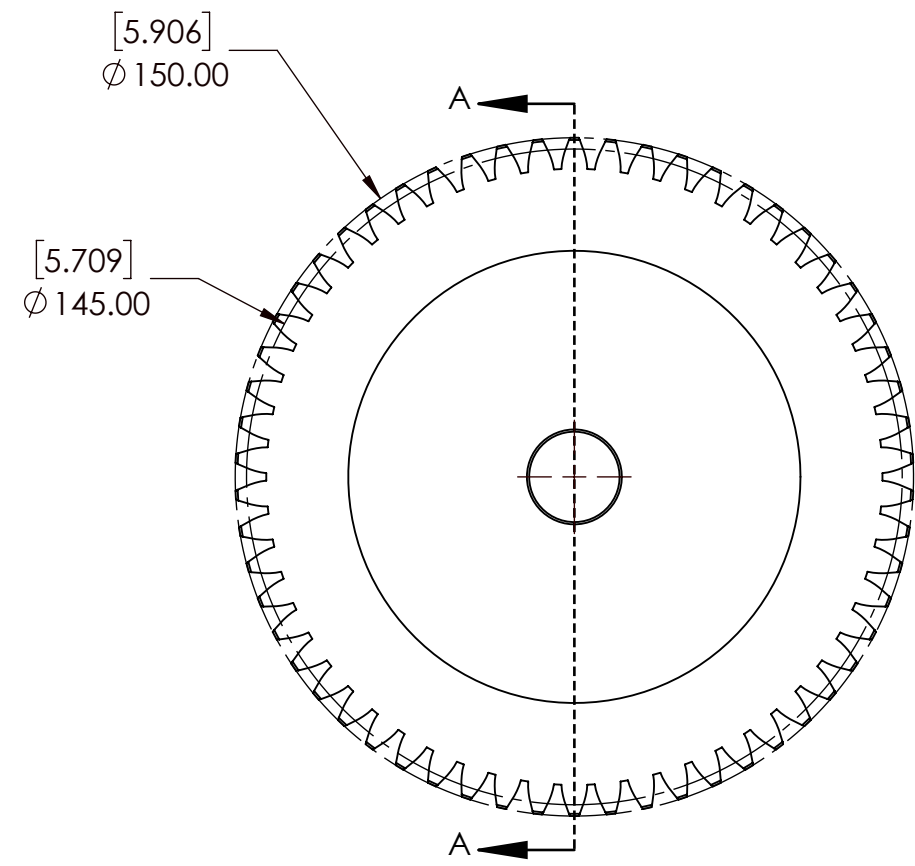


9 8 7 6 5 4 3 2 1

G F E D C B A

G F E D C B A

G F E D C B A



SECTION A-A

SPUR GEAR SPECIFICATIONS		WEIGHT		8.81 LBS	
UNITS	mm (INCH)	MATERIAL	STEEL		
MODULE	2.5	COATING	N/A		
PRESSURE ANGLE	20°	DRAWN	SEC	08/28/2025	
NUMBER OF TEETH	58	CHECKED	SEC	08/28/2025	
PITCH DIAMETER	145mm	APPROVED			
HUB TYPE	B	THIRD ANGLE PROJECTION			
MAX TORQUE (Nm)	199.00 Nm	DATE	BY	REVISION DESCRIPTION	
TOOTH TYPE	STRAIGHT	ITEM DESCRIPTION:		M2.5B58	
MAX RIM SPEED	12 M/S	DWG. NO.	REV		SCALE
			-		1:1

9 8 7 6 5 4 3 2 1

A

A