

9 8 7 6 5 4 3 2 1

G

F

E

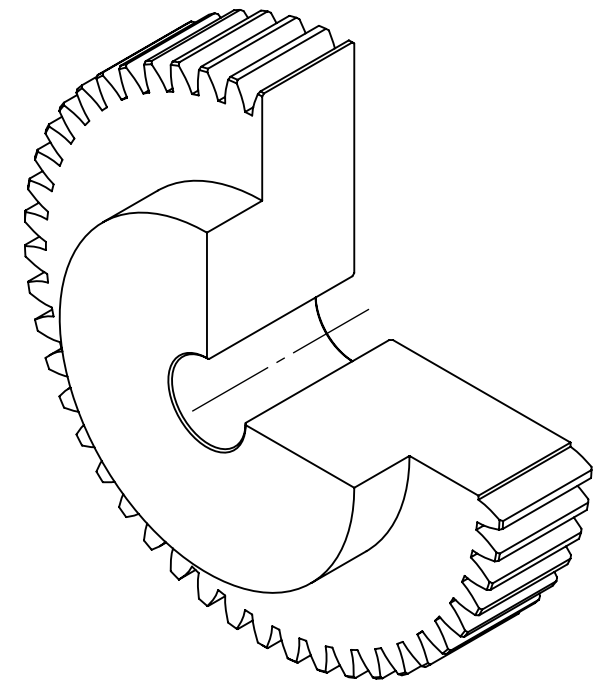
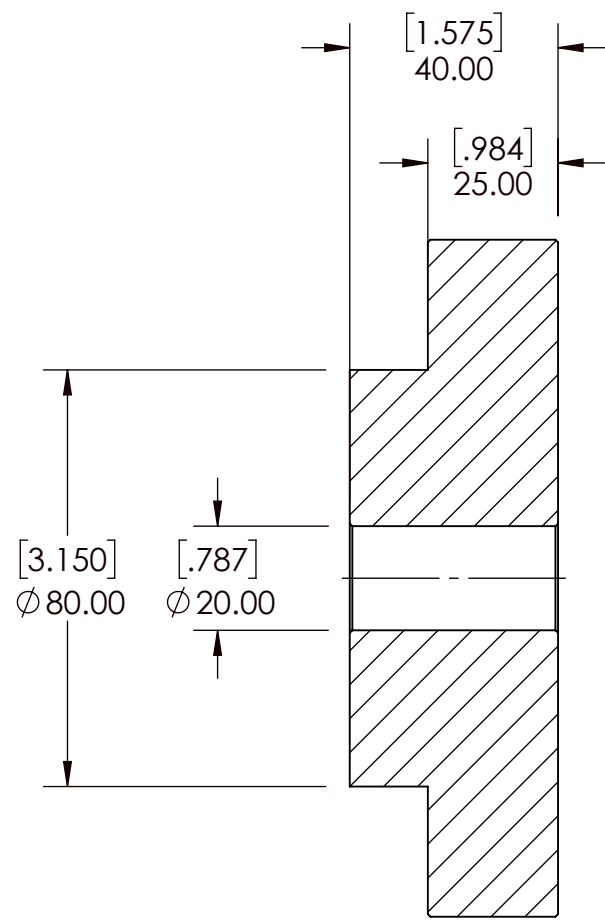
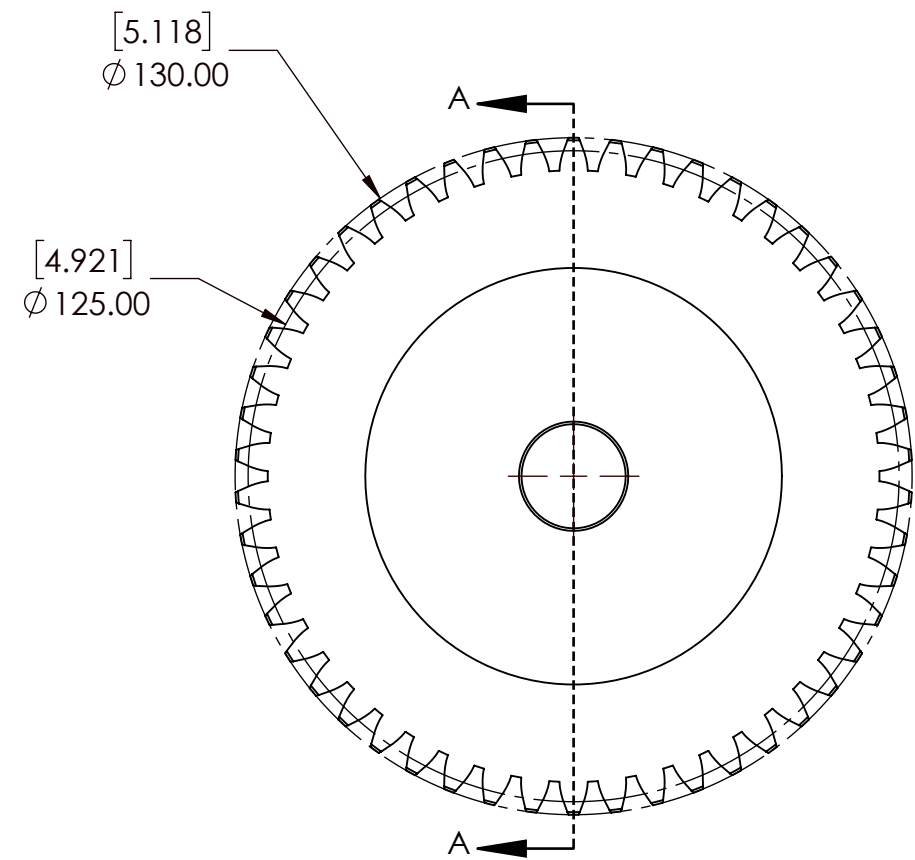
D

C

B

A

9 8 7 6 5 4 3 2 1



SECTION A-A

SPUR GEAR SPECIFICATIONS		WEIGHT		DATE		BY		REVISION DESCRIPTION		REV
UNITS	mm (INCH)	6.29 LBS								
MODULE	2.5	MATERIAL	STEEL							
PRESSURE ANGLE	20°	COATING	N/A							
NUMBER OF TEETH	50	DRAWN	SEC	08/28/2025						
PITCH DIAMETER	125mm	CHECKED	SEC	08/28/2025						
HUB TYPE	B	APPROVED								
MAX TORQUE (Nm)	135.00 Nm	THIRD ANGLE PROJECTION								
TOOTH TYPE	STRAIGHT	DWG. NO.		ITEM DESCRIPTION:		M2.5B50		SCALE	1:1	
MAX RIM SPEED	12 M/S	PROPRIETARY AND CONFIDENTIAL		THE INFORMATION CONTAINED IN THIS DRAWING IS THE SOLE PROPERTY OF SOLVE IMG. ANY REPRODUCTION IN PART OR AS A WHOLE WITHOUT THE WRITTEN PERMISSION OF SOLVE IMG IS PROHIBITED.				REV	-	

G

F

E

D

C

B

A