

9 8 7 6 5 4 3 2 1

G

F

E

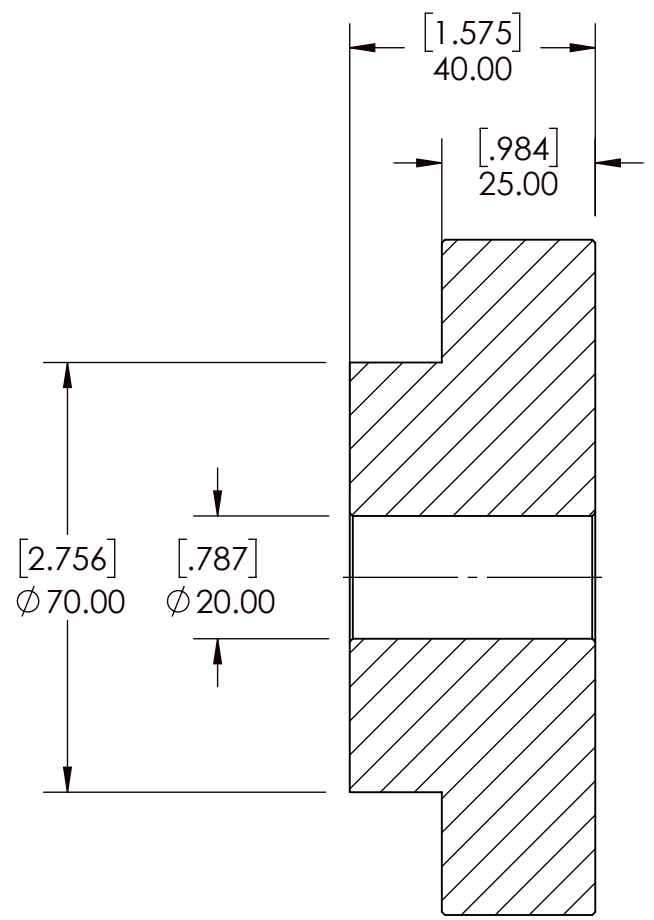
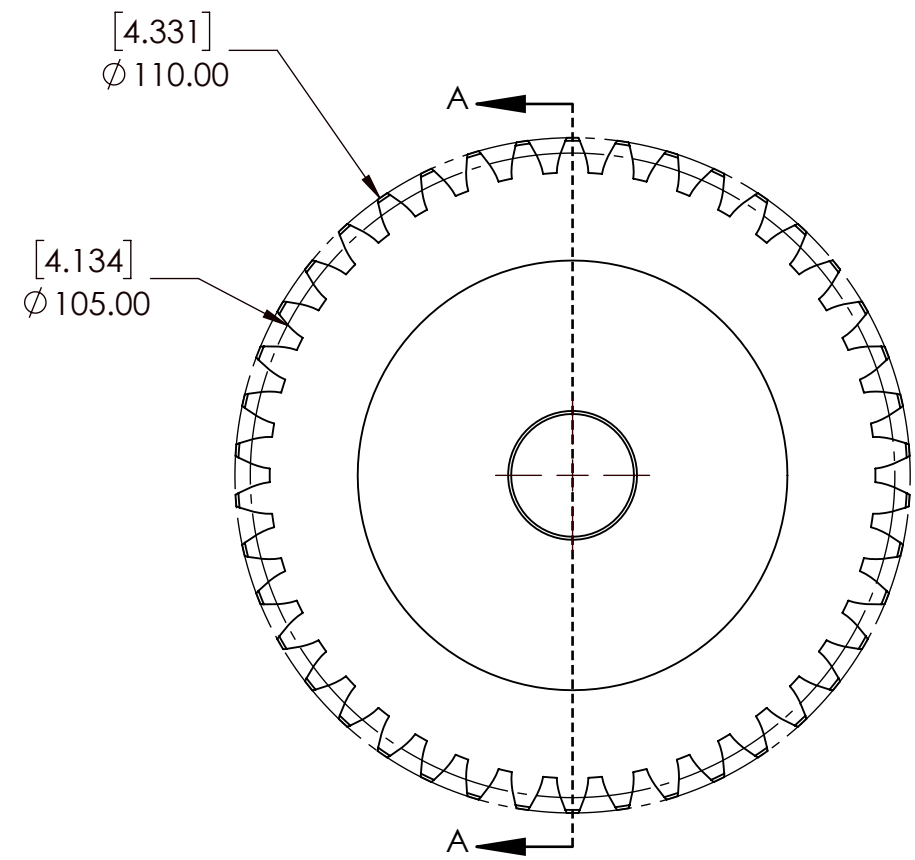
D

C

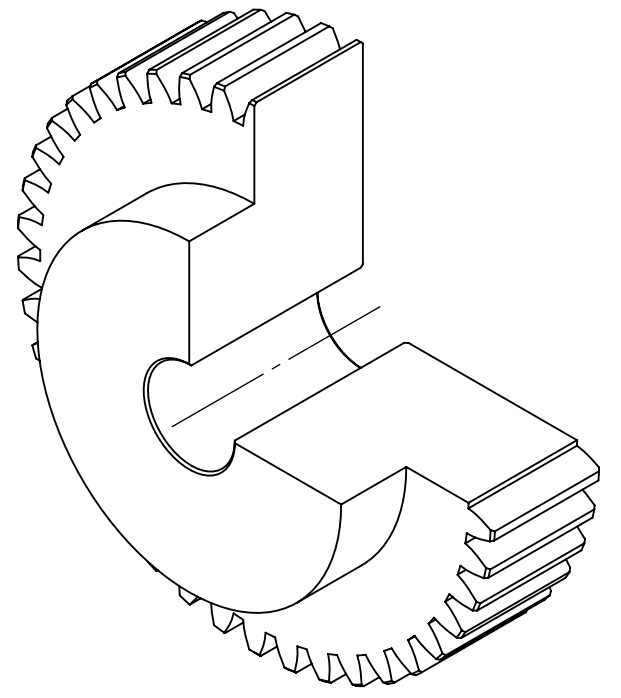
B

A

9 8 7 6 5 4 3 2 1



SECTION A-A



SPUR GEAR SPECIFICATIONS		WEIGHT		DATE		BY		REVISION DESCRIPTION		REV
UNITS	mm (INCH)	4.47 LBS								
MODULE	2.5	MATERIAL	STEEL							
PRESSURE ANGLE	20°	COATING	N/A							
NUMBER OF TEETH	42	DRAWN	SEC	08/28/2025						
PITCH DIAMETER	105mm	CHECKED	SEC	08/28/2025						
HUB TYPE	B	APPROVED								
MAX TORQUE (Nm)	82.20 Nm			ITEM DESCRIPTION:		M2.5B42		SCALE		1:1
TOOTH TYPE	STRAIGHT									REV
MAX RIM SPEED	12 M/S	DWG. NO.		PROPRIETARY AND CONFIDENTIAL						



PROPRIETARY AND CONFIDENTIAL  
 THE INFORMATION CONTAINED IN THIS DRAWING IS THE SOLE PROPERTY OF SOLVE IMG. ANY REPRODUCTION IN PART OR AS A WHOLE WITHOUT THE WRITTEN PERMISSION OF SOLVE IMG IS PROHIBITED.