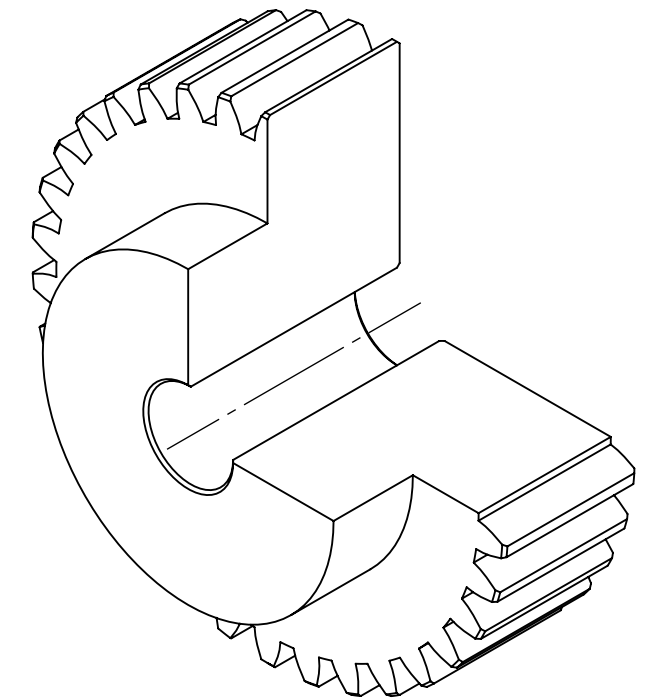
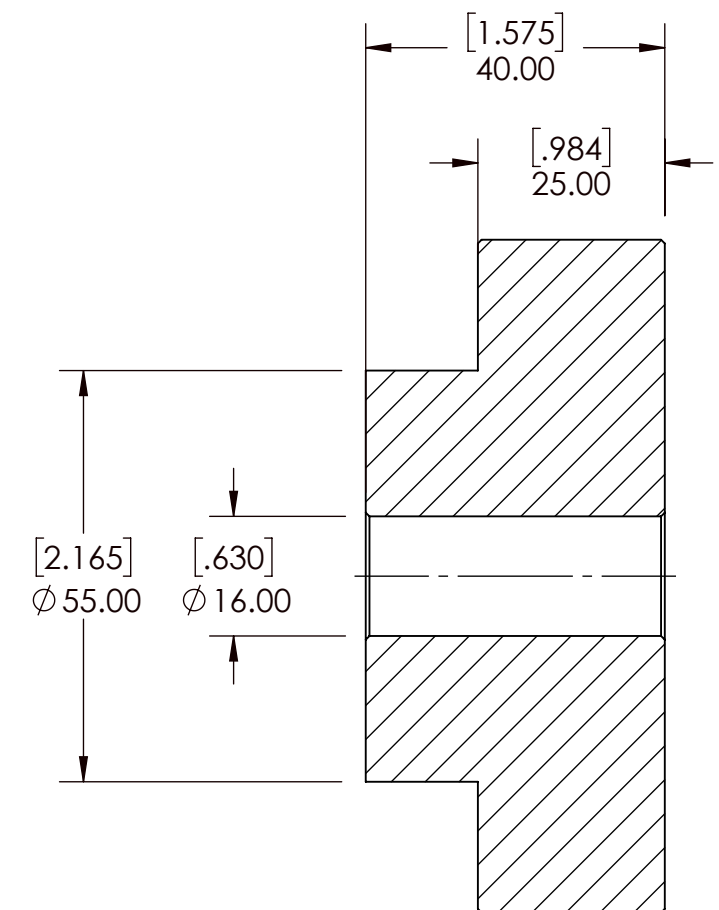
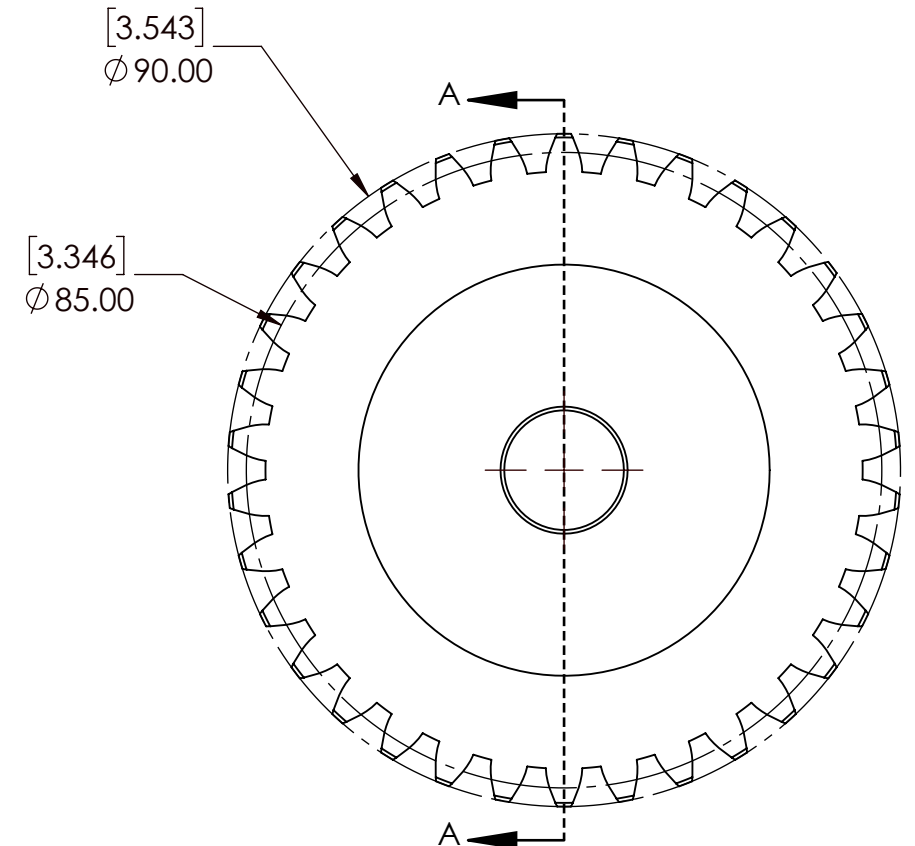


9 8 7 6 5 4 3 2 1

G F E D C B A



SECTION A-A

| SPUR GEAR SPECIFICATIONS | | WEIGHT | | DATE | | BY | | REVISION DESCRIPTION | | REV |
|--------------------------|-----------|----------|-----|------------|--|-------------------|--|----------------------|--|----------|
| UNITS | mm (INCH) | 2.91 LBS | | | | | | | | |
| MODULE | 2.5 | STEEL | | | | | | | | |
| PRESSURE ANGLE | 20° | N/A | | | | | | | | |
| NUMBER OF TEETH | 34 | DRAWN | SEC | 08/28/2025 | | | | | | |
| PITCH DIAMETER | 85mm | CHECKED | SEC | 08/28/2025 | | | | | | |
| HUB TYPE | B | APPROVED | | | | | | | | |
| MAX TORQUE (Nm) | 46.70 Nm | | | | | ITEM DESCRIPTION: | | M2.5B34 | | SCALE |
| TOOTH TYPE | STRAIGHT | | | | | | | | | DWG. NO. |
| MAX RIM SPEED | 12 M/S | | | | | | | | | REV |
| | | | | | | | | | | - |

9 8 7 6 5 4 3 2 1

A