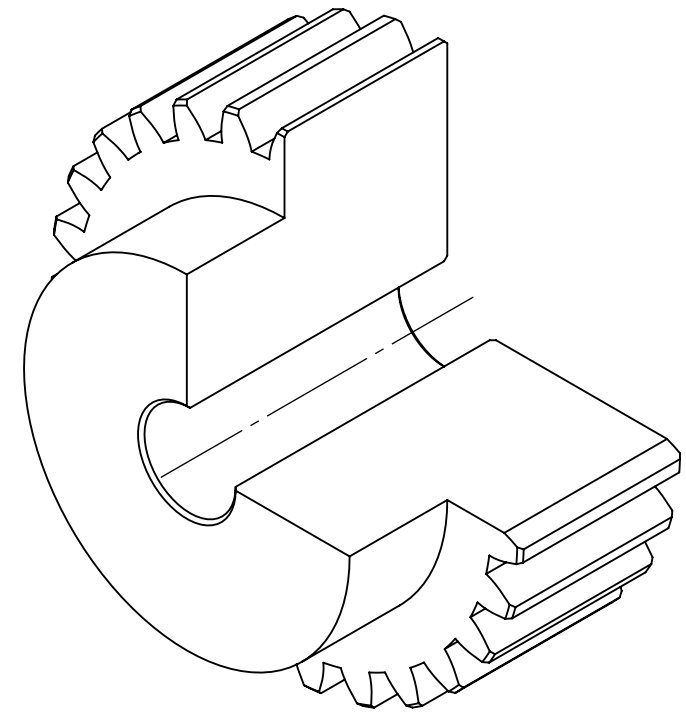
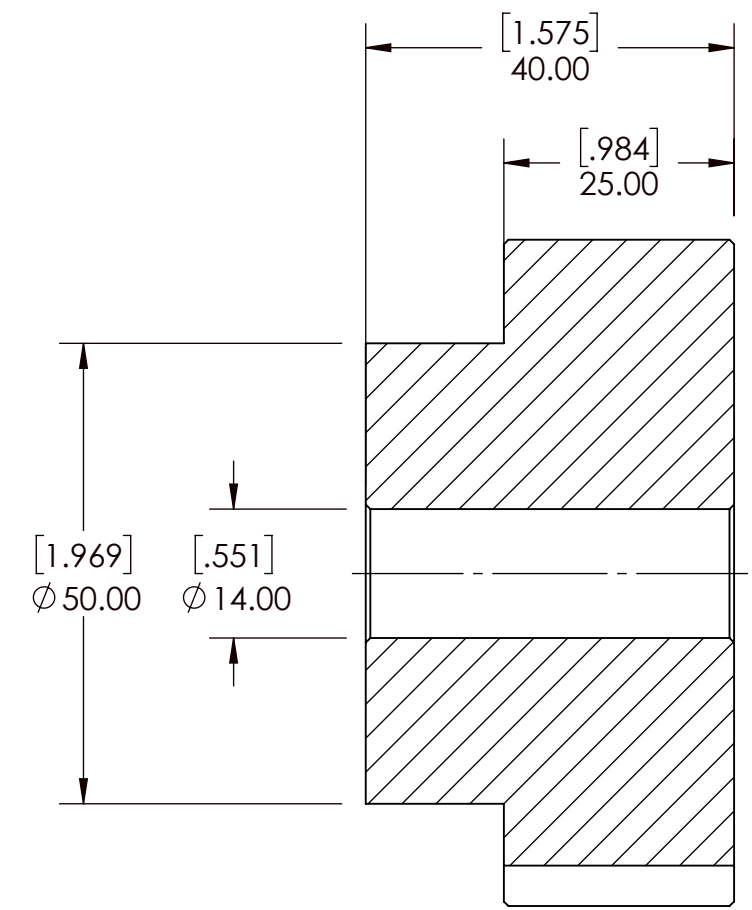
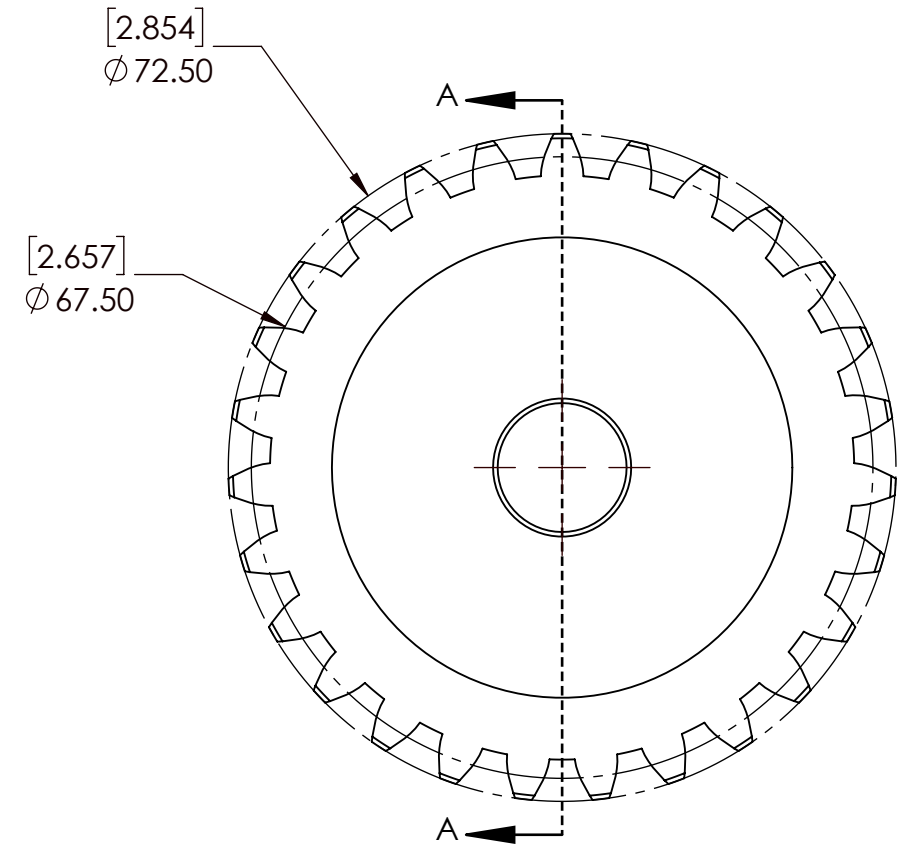


9 8 7 6 5 4 3 2 1

G F E D C B A



SECTION A-A

SPUR GEAR SPECIFICATIONS		WEIGHT		1.95 LBS	
UNITS	mm (INCH)	MATERIAL		STEEL	
MODULE	2.5	COATING		N/A	
PRESSURE ANGLE	20°	DRAWN	SEC	08/28/2025	
NUMBER OF TEETH	27	CHECKED	SEC	08/28/2025	
PITCH DIAMETER	67.5mm	APPROVED		DATE	BY
HUB TYPE	B			REVISION DESCRIPTION	
MAX TORQUE (Nm)	27.30 Nm			ITEM DESCRIPTION:	
TOOTH TYPE	STRAIGHT	DWG. NO.		M2.5B27	
MAX RIM SPEED	12 M/S	<small>PROPRIETARY AND CONFIDENTIAL</small> <small>THE INFORMATION CONTAINED IN THIS DRAWING IS THE SOLE PROPERTY OF SOLVE IMG. ANY REPRODUCTION IN PART OR AS A WHOLE WITHOUT THE WRITTEN PERMISSION OF SOLVE IMG IS PROHIBITED.</small>		SCALE	1:1
				REV	-

9 8 7 6 5 4 3 2 1

A B C D E F G