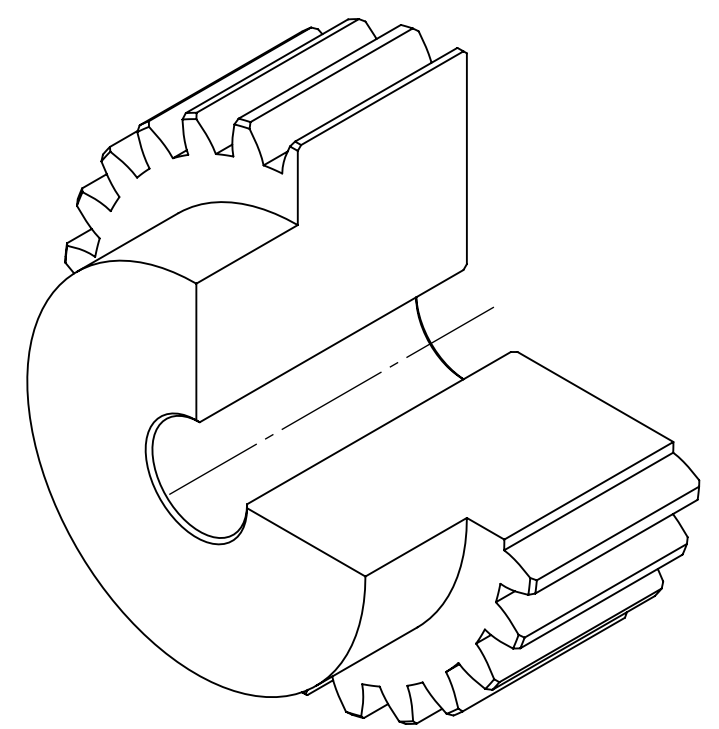
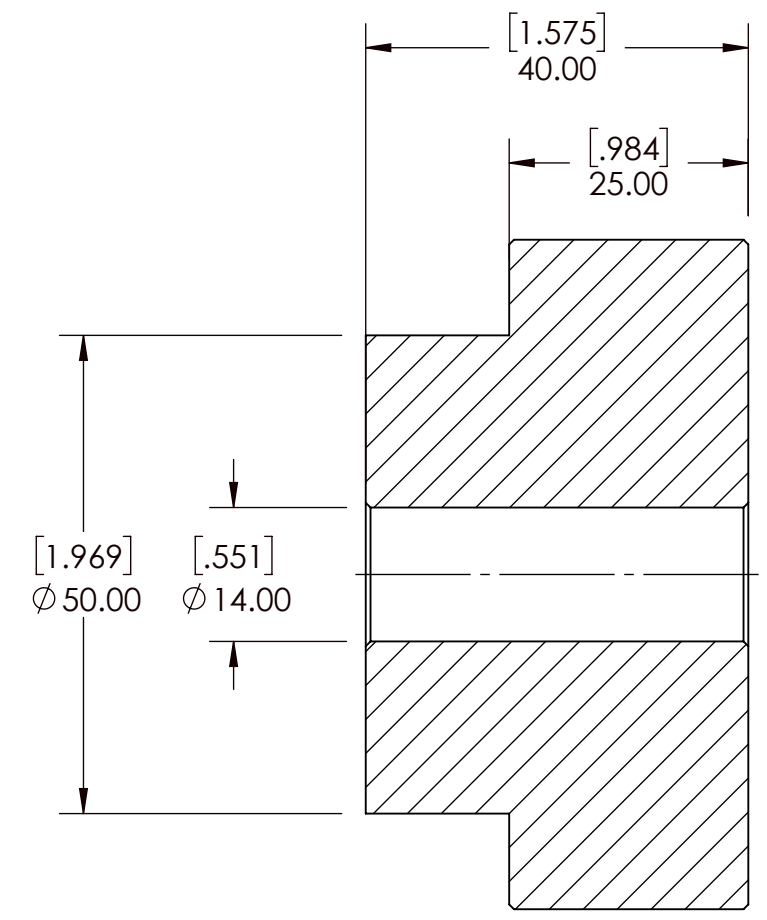
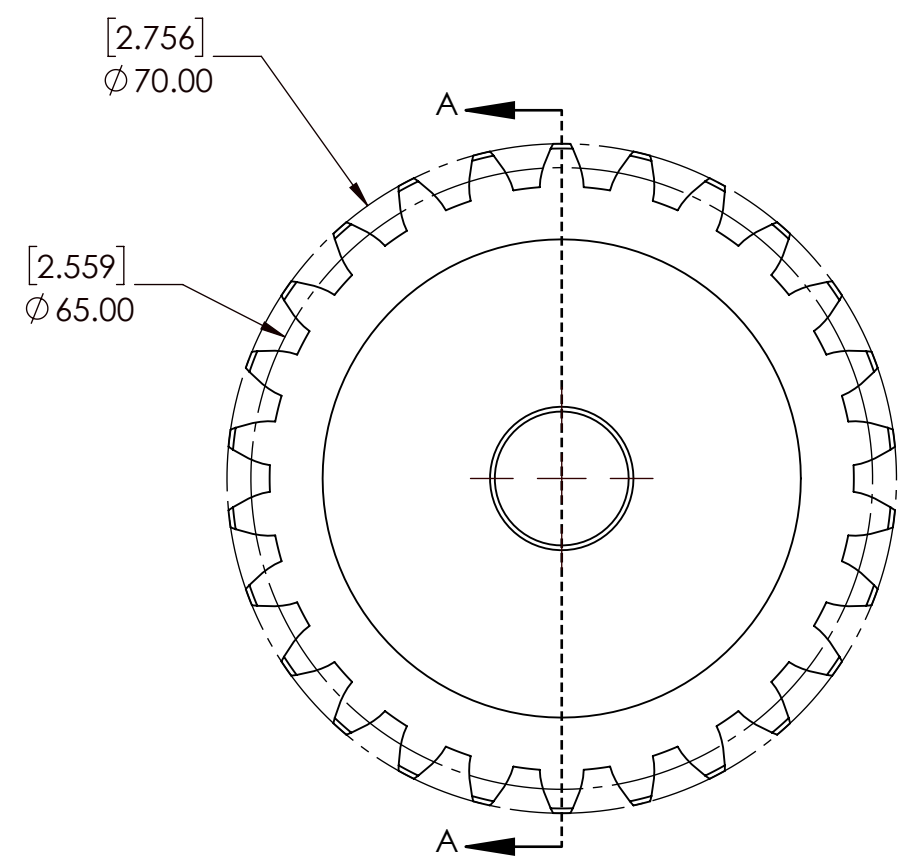


9 8 7 6 5 4 3 2 1

G F E D C B A



SECTION A-A

SPUR GEAR SPECIFICATIONS		WEIGHT		1.84 LBS					
UNITS	mm (INCH)	MATERIAL		STEEL					
MODULE	2.5	COATING		N/A					
PRESSURE ANGLE	20°	DRAWN		SEC	08/28/2025				
NUMBER OF TEETH	26	CHECKED		SEC	08/28/2025				
PITCH DIAMETER	65mm	APPROVED				DATE	BY	REVISION DESCRIPTION	
HUB TYPE	B					ITEM DESCRIPTION:			
MAX TORQUE (Nm)	25.00 Nm								
TOOTH TYPE	STRAIGHT	DWG. NO.		PROPRIETARY AND CONFIDENTIAL <small>THE INFORMATION CONTAINED IN THIS DRAWING IS THE SOLE PROPERTY OF SOLVE IMG. ANY REPRODUCTION IN PART OR AS A WHOLE WITHOUT THE WRITTEN PERMISSION OF SOLVE IMG IS PROHIBITED.</small>		M2.5B26		SCALE	REV
MAX RIM SPEED	12 M/S							1:1	-

9 8 7 6 5 4 3 2 1

A