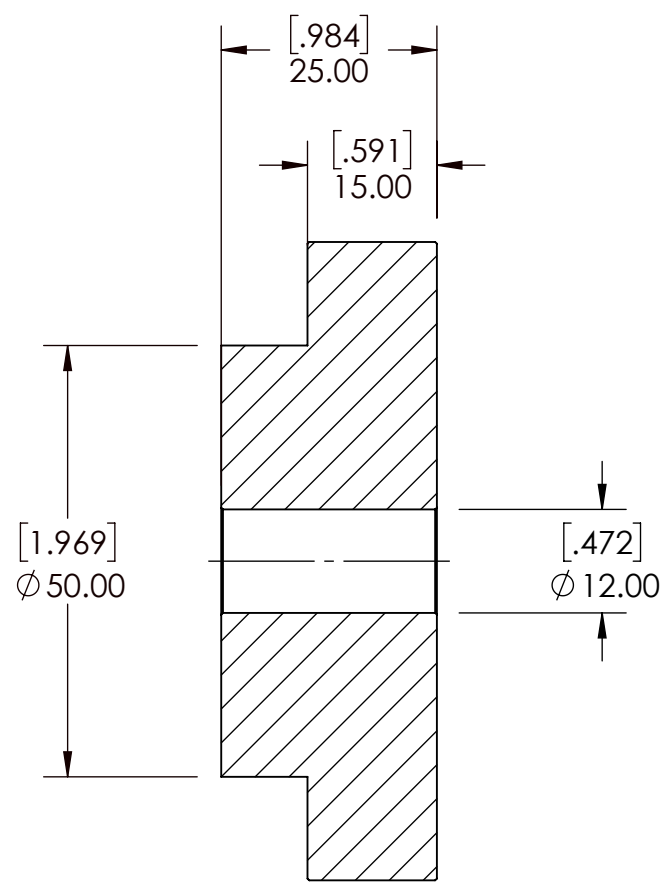
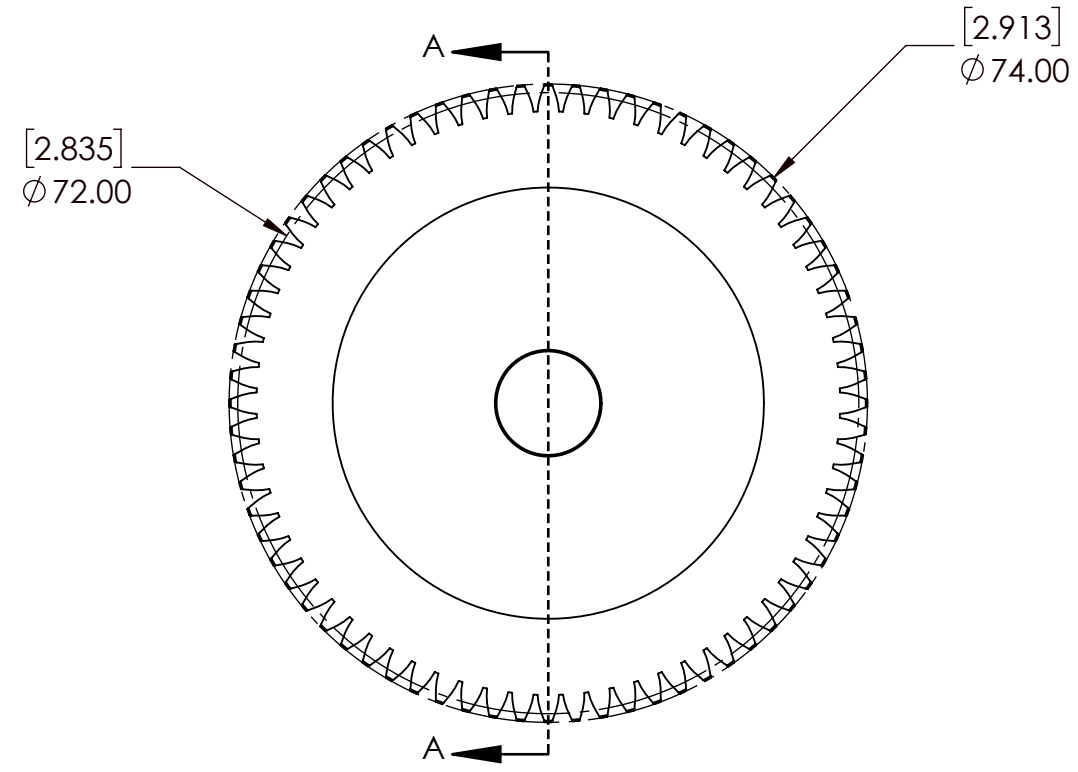


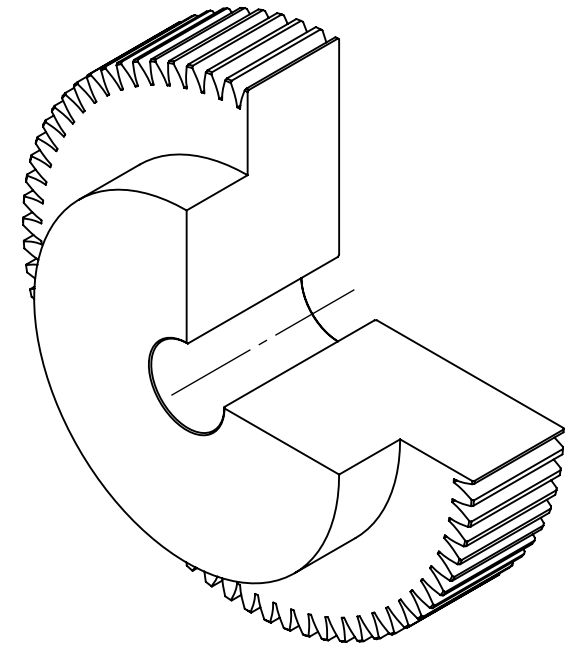
9 8 7 6 5 4 3 2 1

G
F
E
D
C
B
A

G
F
E
D
C
B
A



SECTION A-A



SPUR GEAR SPECIFICATIONS		WEIGHT		DATE		BY		REVISION DESCRIPTION		REV
UNITS	mm (INCH)	1.32 LBS								
MODULE	1	STEEL								
PRESSURE ANGLE	20°	N/A								
NUMBER OF TEETH	72	DRAWN SEC 08/28/2025								
PITCH DIAMETER	72mm	CHECKED SEC 08/28/2025								
HUB TYPE	B	APPROVED								
MAX TORQUE (Nm)	17.29 Nm			ITEM DESCRIPTION:		M1B72		SCALE 1:1		REV -
TOOTH TYPE	STRAIGHT									
MAX RIM SPEED	12 M/S	DWG. NO.		PROPRIETARY AND CONFIDENTIAL						

9 8 7 6 5 4 3 2 1