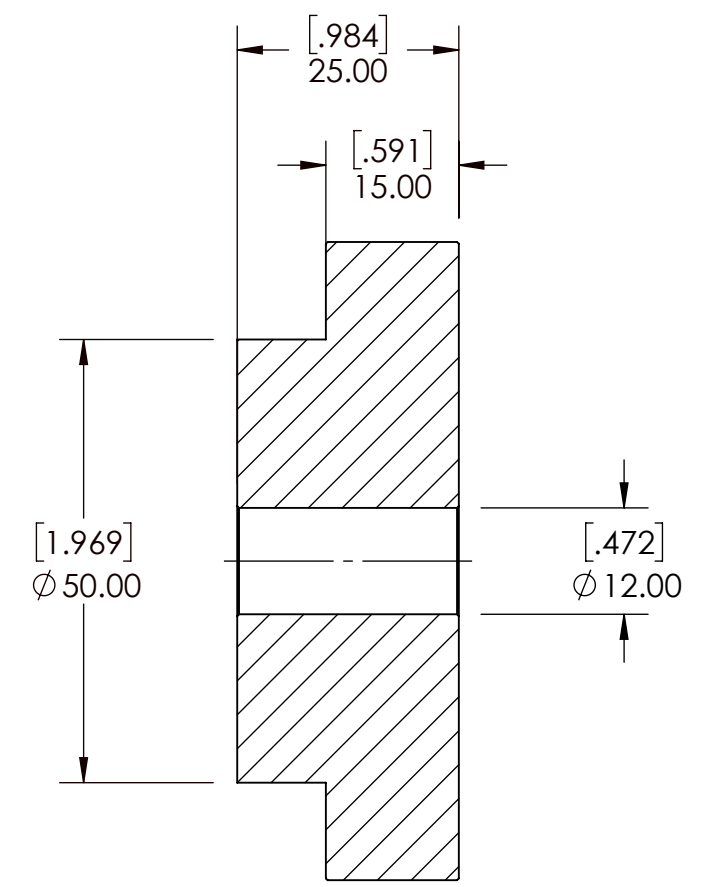
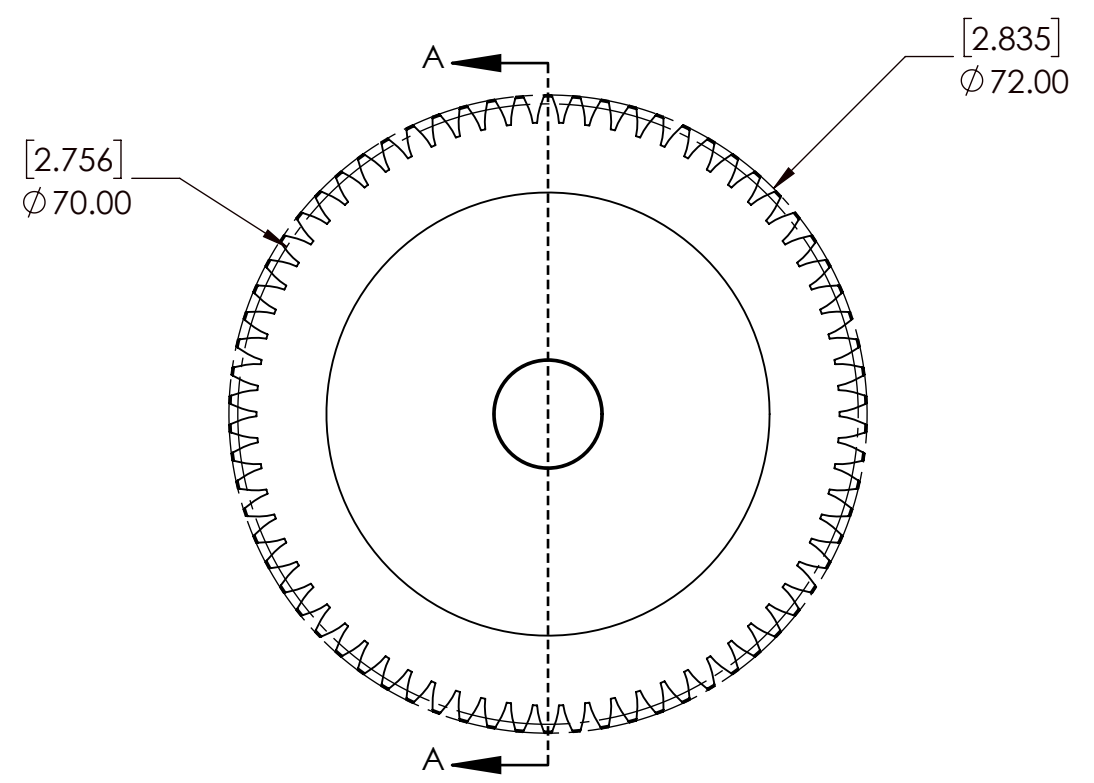
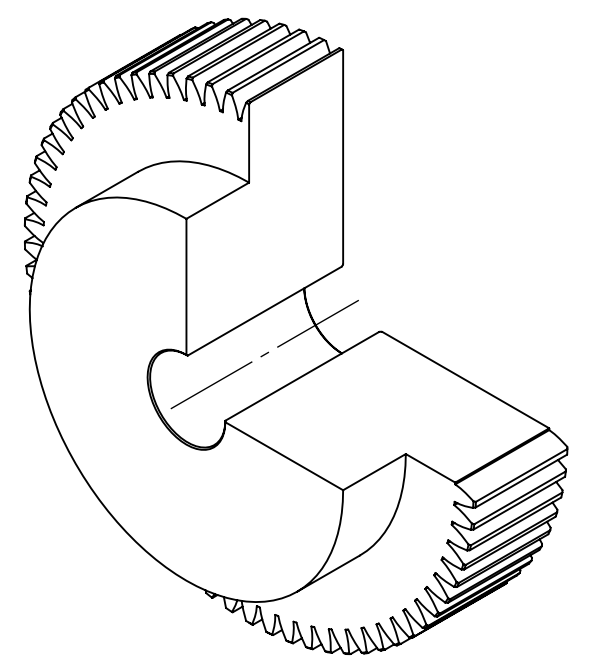


9 8 7 6 5 4 3 2 1

G F E D C B A



SECTION A-A

SPUR GEAR SPECIFICATIONS		WEIGHT		1.27 LBS	
UNITS	mm (INCH)	MATERIAL		STEEL	
MODULE	1	COATING		N/A	
PRESSURE ANGLE	20°	DRAWN		SEC	08/28/2025
NUMBER OF TEETH	70	CHECKED		SEC	08/28/2025
PITCH DIAMETER	70mm	APPROVED		DATE	BY
HUB TYPE	B			REVISION DESCRIPTION	
MAX TORQUE (Nm)	16.65 Nm			ITEM DESCRIPTION:	
TOOTH TYPE	STRAIGHT	DWG. NO.		M1B70	
MAX RIM SPEED	12 M/S			SCALE	
<small>PROPRIETARY AND CONFIDENTIAL THE INFORMATION CONTAINED IN THIS DRAWING IS THE SOLE PROPERTY OF SOLVE IMG. ANY REPRODUCTION IN PART OR AS A WHOLE WITHOUT THE WRITTEN PERMISSION OF SOLVE IMG IS PROHIBITED.</small>				1:1	
				-	

9 8 7 6 5 4 3 2 1

A B C D E F G