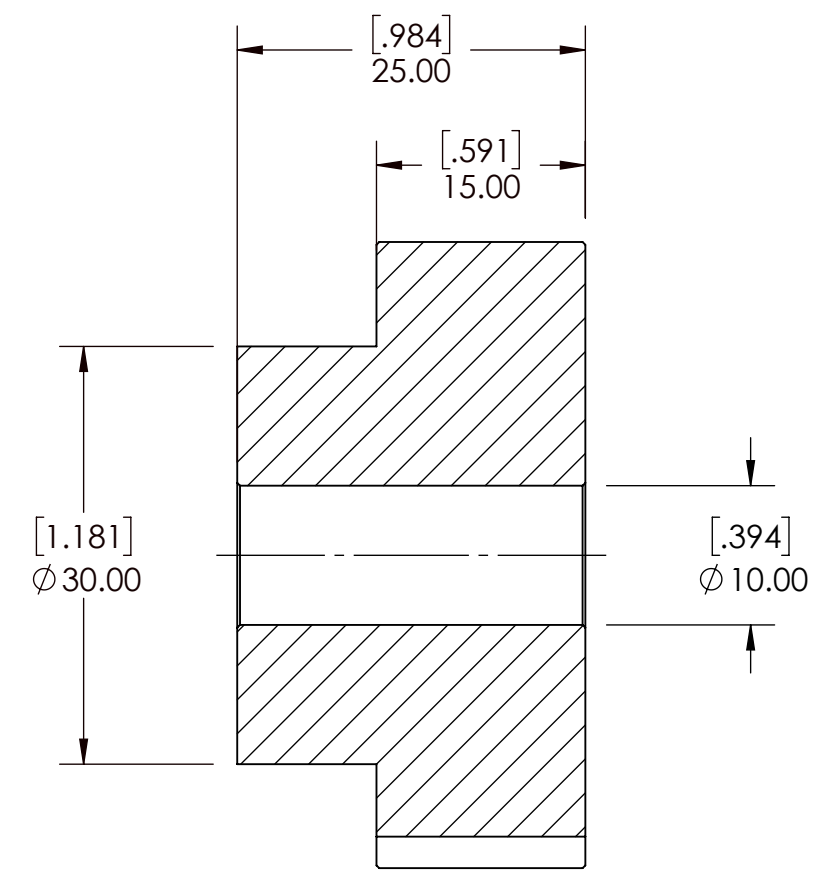
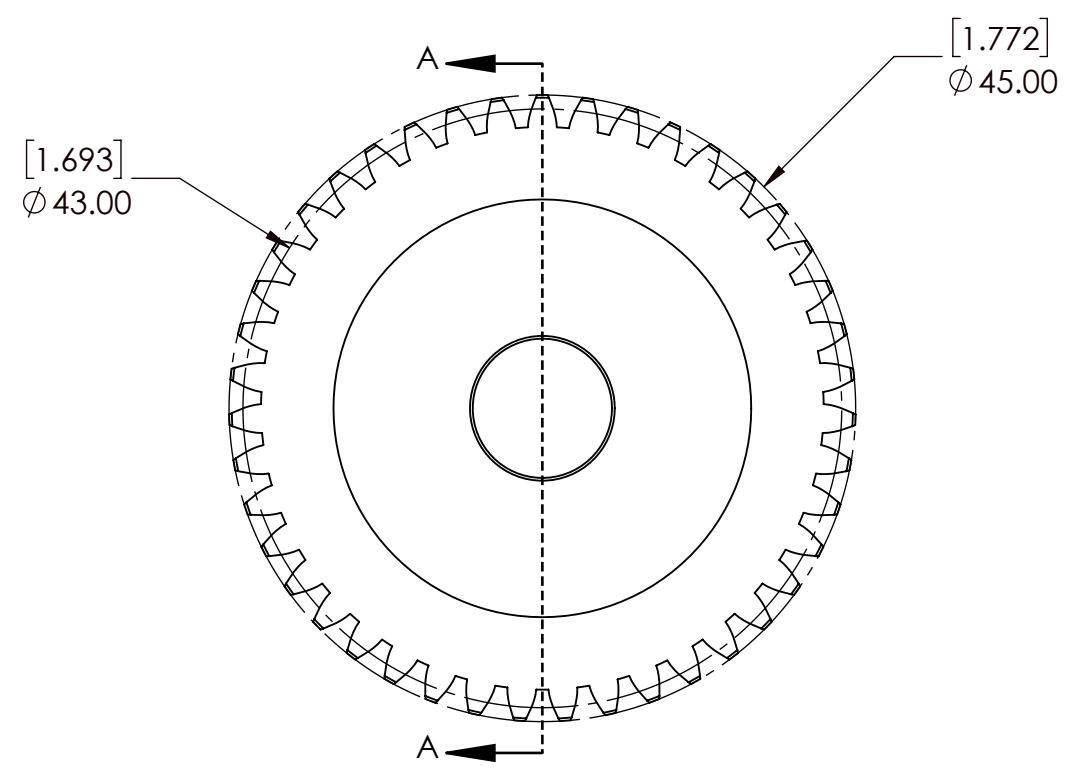
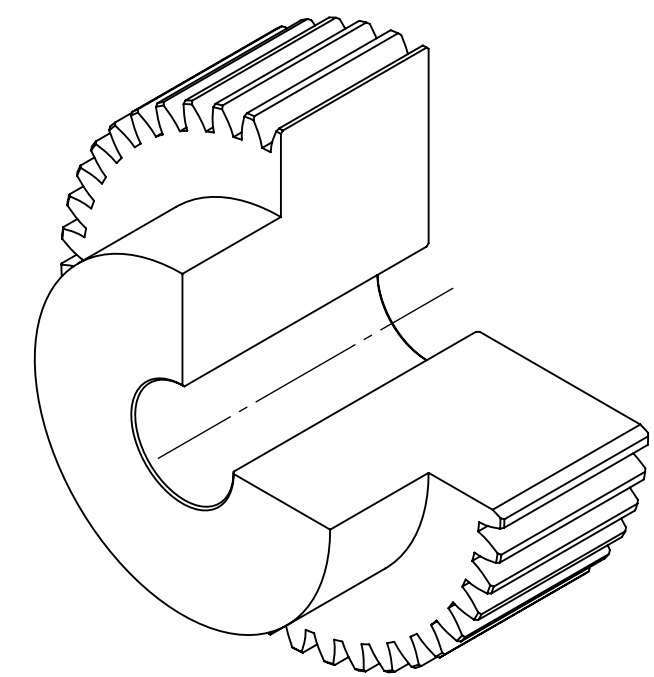


9 8 7 6 5 4 3 2 1

G  
F  
E  
D  
C  
B  
A

G  
F  
E  
D  
C  
B  
A



SECTION A-A

SPUR GEAR SPECIFICATIONS		WEIGHT		DATE		BY		REVISION DESCRIPTION		REV
UNITS	mm (INCH)	0.46 LBS								
MODULE	1	STEEL								
PRESSURE ANGLE	20°	N/A		08/28/2025						
NUMBER OF TEETH	43	DRAWN		SEC						
PITCH DIAMETER	43mm	CHECKED		SEC						
HUB TYPE	B	APPROVED								
MAX TORQUE (Nm)	4.86 Nm	THIRD ANGLE PROJECTION								
TOOTH TYPE	STRAIGHT	DWG. NO.		PROPRIETARY AND CONFIDENTIAL		ITEM DESCRIPTION:		M1B43		SCALE
MAX RIM SPEED	12 M/S	PTI		THE INFORMATION CONTAINED IN THIS DRAWING IS THE SOLE PROPERTY OF SOLVE IMG. ANY REPRODUCTION IN PART OR AS A WHOLE WITHOUT THE WRITTEN PERMISSION OF SOLVE IMG IS PROHIBITED.						1:1
										REV
										-

9 8 7 6 5 4 3 2 1