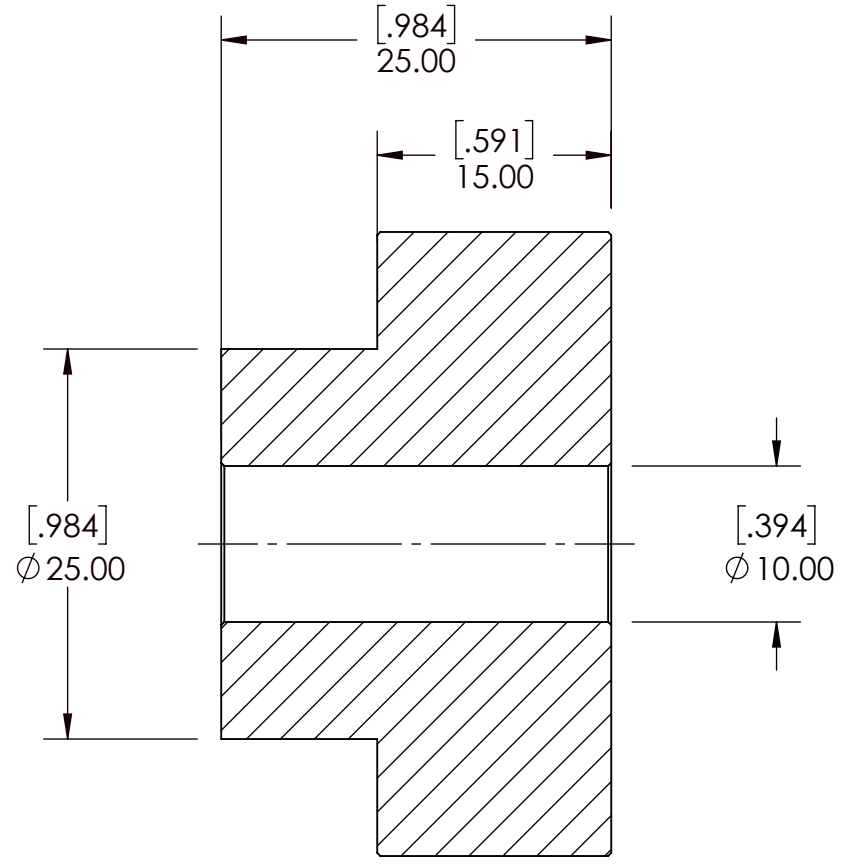
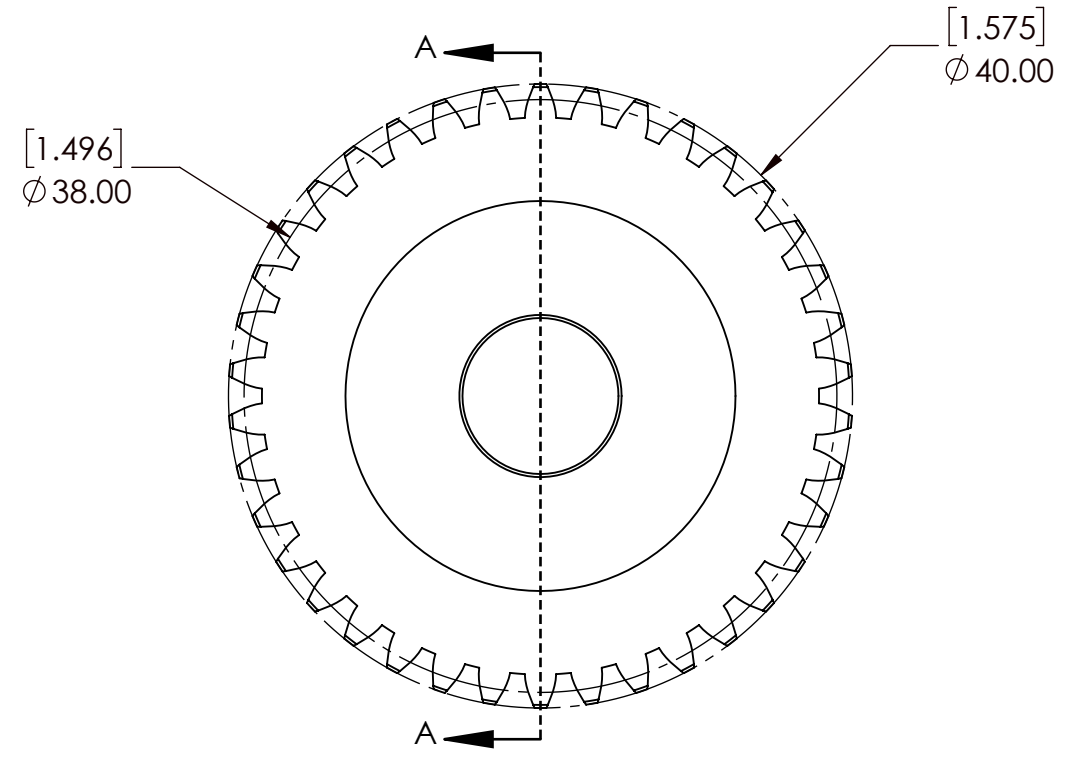
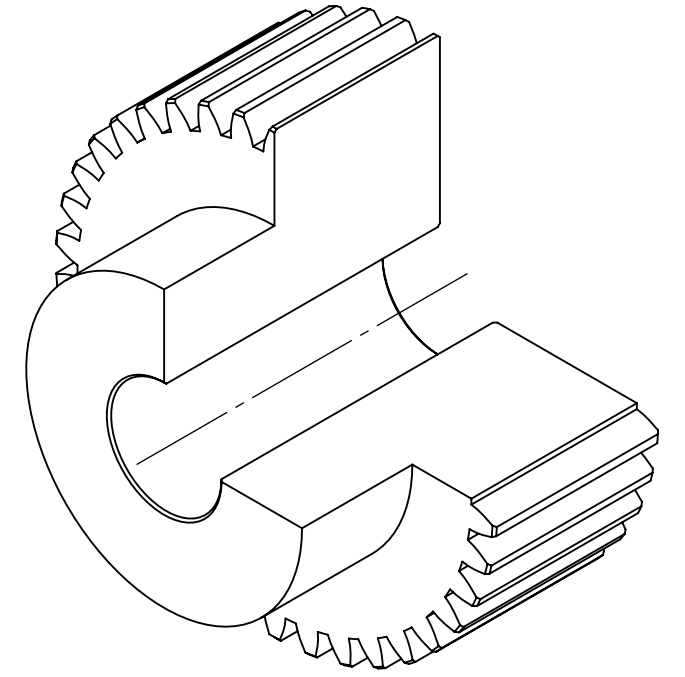


9 8 7 6 5 4 3 2 1

G  
F  
E  
D  
C  
B  
A

G  
F  
E  
D  
C  
B  
A



SECTION A-A

SPUR GEAR SPECIFICATIONS		WEIGHT		DATE		BY		REVISION DESCRIPTION		REV					
UNITS	mm (INCH)	0.34 LBS													
MODULE	1	STEEL													
PRESSURE ANGLE	20°	N/A													
NUMBER OF TEETH	38	DRAWN SEC 08/28/2025													
PITCH DIAMETER	38mm	CHECKED SEC 08/28/2025													
HUB TYPE	B	APPROVED													
MAX TORQUE (Nm)	3.64 Nm					ITEM DESCRIPTION:		M1B38		SCALE					
TOOTH TYPE	STRAIGHT									DWG. NO.		PROPRIETARY AND CONFIDENTIAL		1:1	
MAX RIM SPEED	12 M/S											THE INFORMATION CONTAINED IN THIS DRAWING IS THE SOLE PROPERTY OF SOLVE IMG. ANY REPRODUCTION IN PART OR AS A WHOLE WITHOUT THE WRITTEN PERMISSION OF SOLVE IMG IS PROHIBITED.		-	

9 8 7 6 5 4 3 2 1