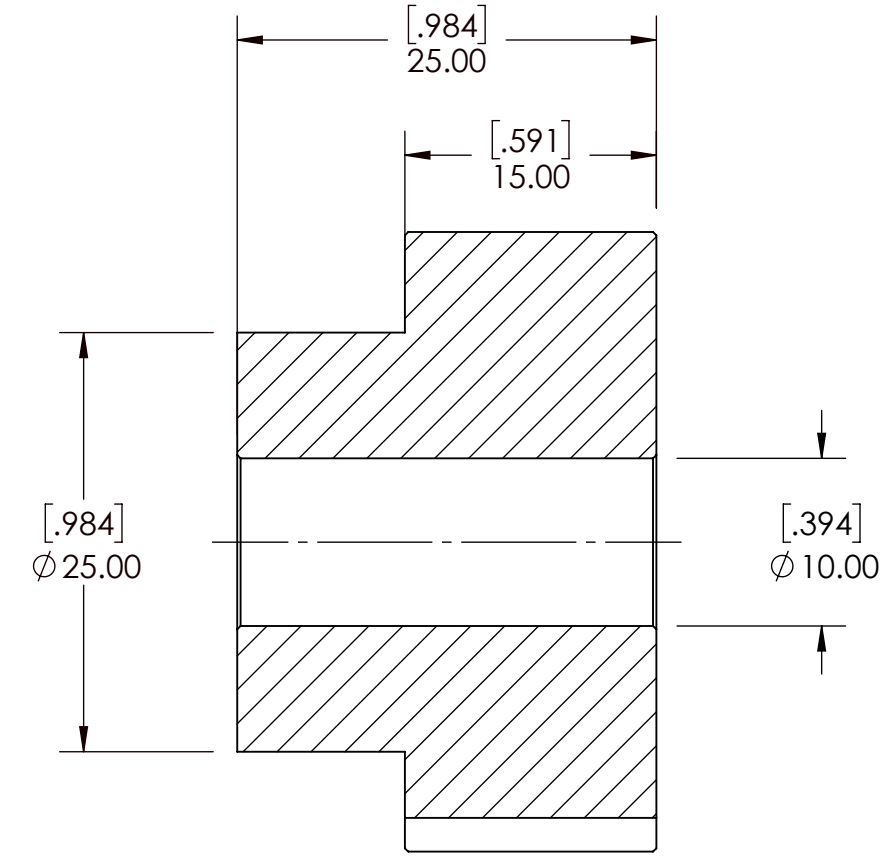
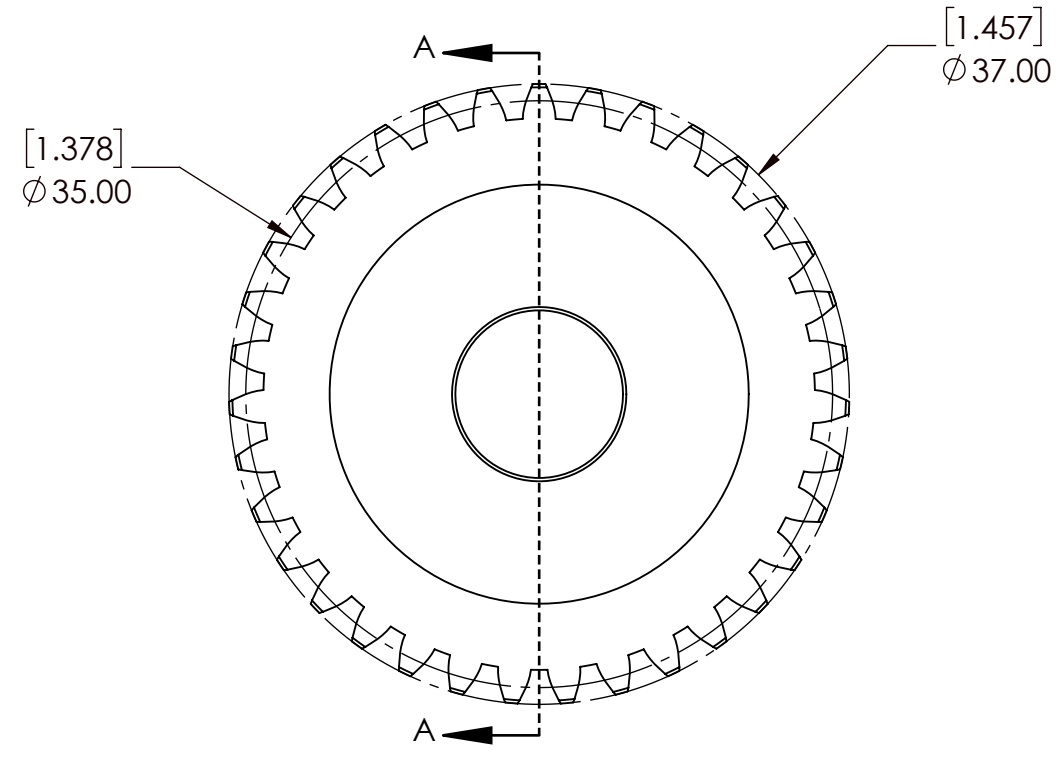
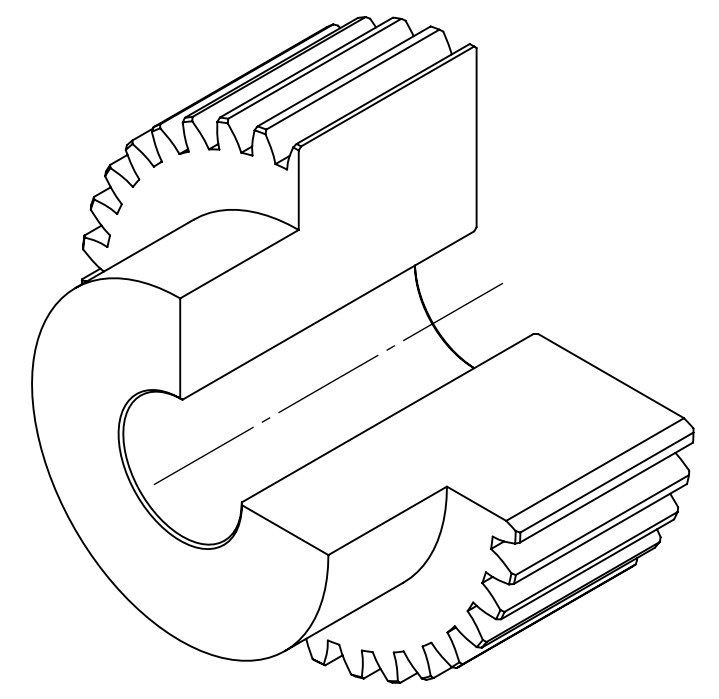


9 8 7 6 5 4 3 2 1

G
F
E
D
C
B
A

G
F
E
D
C
B
A



SECTION A-A

SPUR GEAR SPECIFICATIONS		WEIGHT		DATE		BY		REVISION DESCRIPTION		REV
UNITS	mm (INCH)	0.30 LBS								
MODULE	1	STEEL								
PRESSURE ANGLE	20°	N/A								
NUMBER OF TEETH	35	DRAWN SEC 08/28/2025								
PITCH DIAMETER	35mm	CHECKED SEC 08/28/2025								
HUB TYPE	B	APPROVED								
MAX TORQUE (Nm)	2.99 Nm					ITEM DESCRIPTION:		M1B35		SCALE
TOOTH TYPE	STRAIGHT									DWG. NO.
MAX RIM SPEED	12 M/S									REV
										-

9 8 7 6 5 4 3 2 1