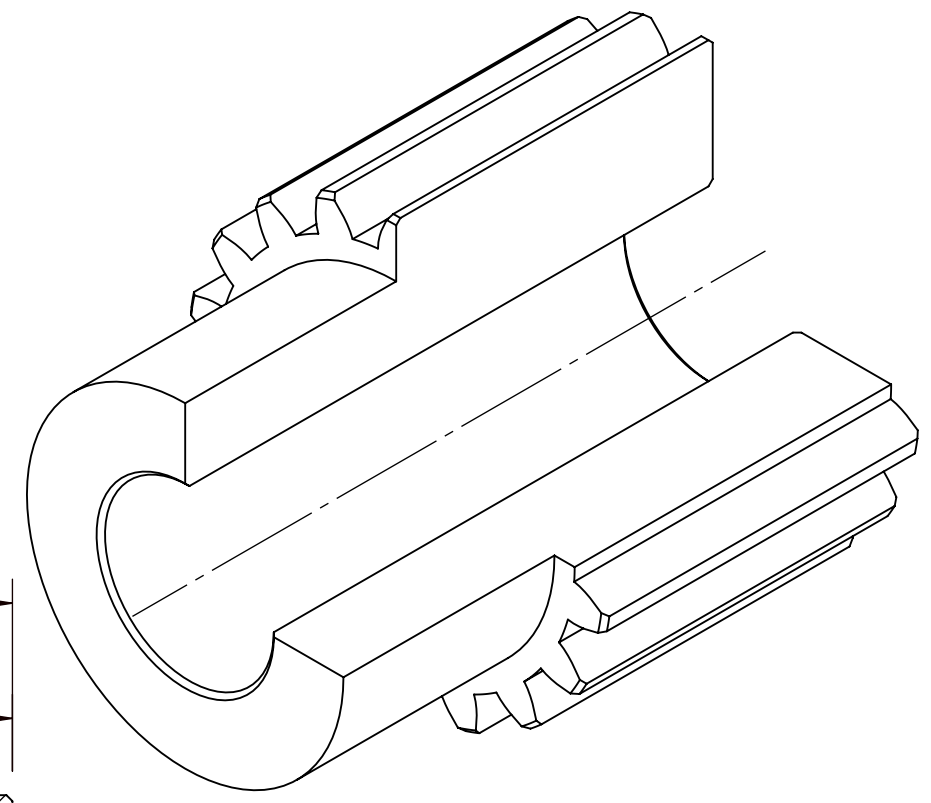
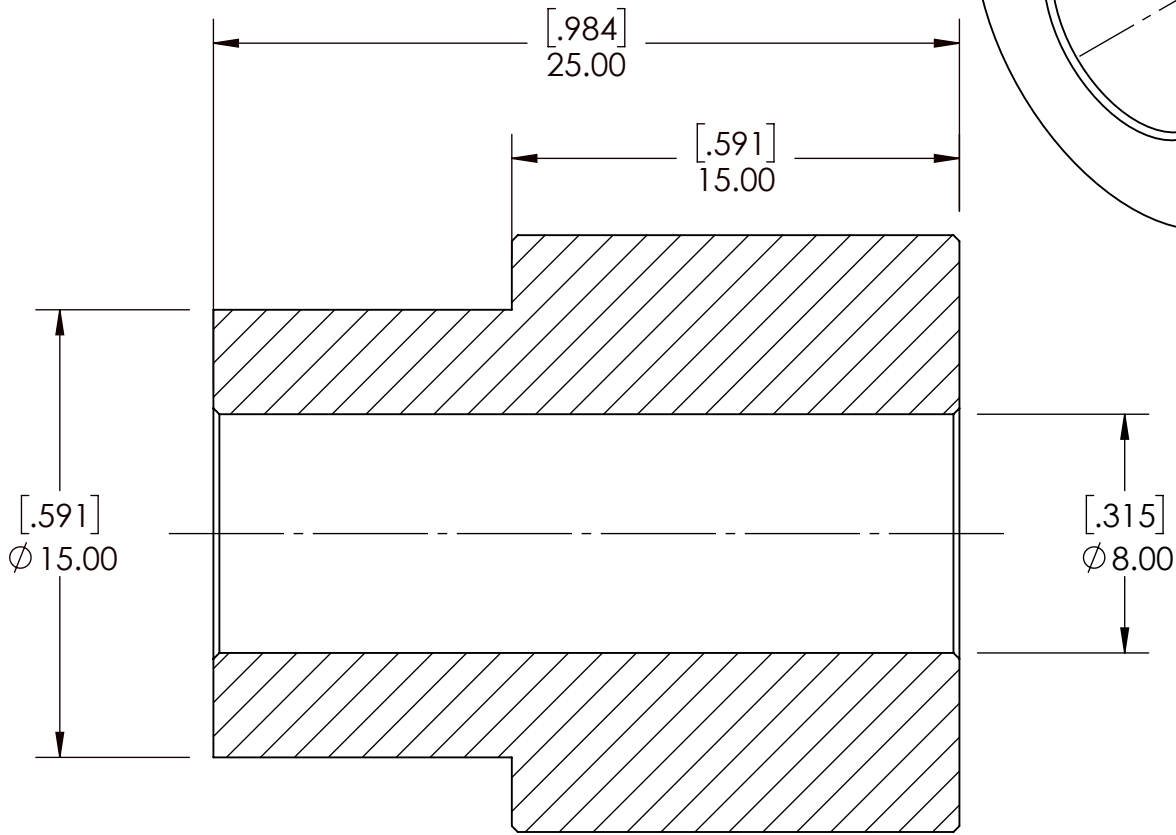
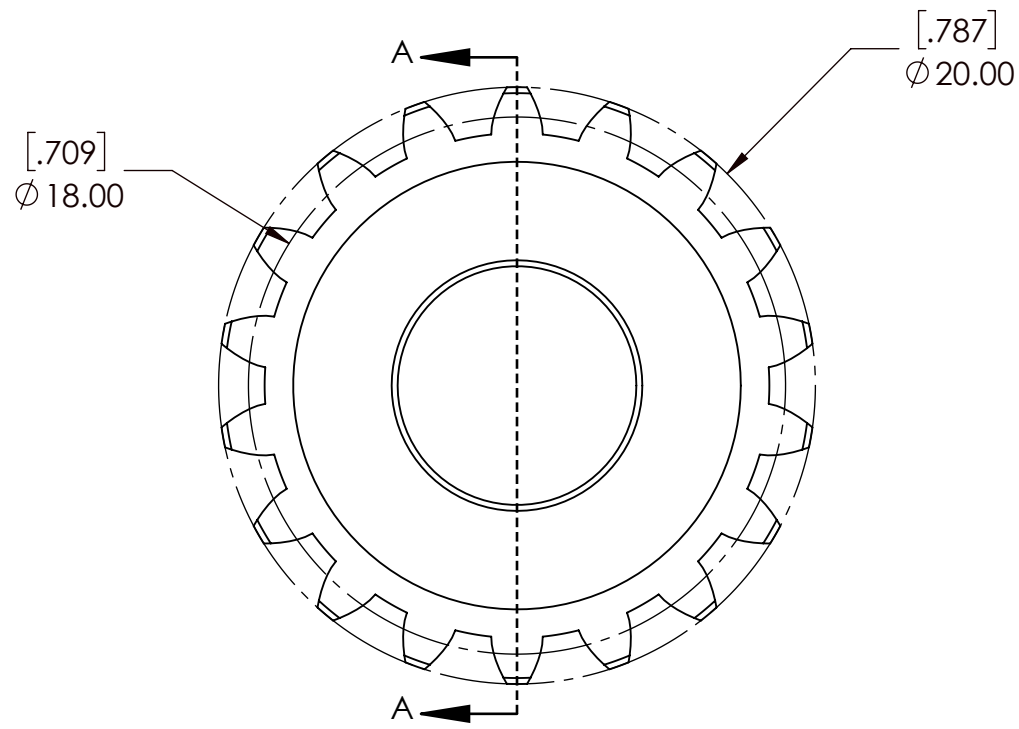


9 8 7 6 5 4 3 2 1

G
F
E
D
C
B
A

G
F
E
D
C
B
A



SECTION A-A

SPUR GEAR SPECIFICATIONS		WEIGHT		0.08 LBS						
UNITS	mm (INCH)			MATERIAL	STEEL					
MODULE	1			COATING	N/A					
PRESSURE ANGLE	20°	PTI	DRAWN	SEC	08/28/2025					
NUMBER OF TEETH	18		CHECKED	SEC	08/28/2025					
PITCH DIAMETER	18mm		APPROVED			DATE	BY	REVISION DESCRIPTION		REV
HUB TYPE	B									
MAX TORQUE (Nm)	0.62 Nm	DWG. NO.		PROPRIETARY AND CONFIDENTIAL <small>THE INFORMATION CONTAINED IN THIS DRAWING IS THE SOLE PROPERTY OF SOLVE IMG. ANY REPRODUCTION IN PART OR AS A WHOLE WITHOUT THE WRITTEN PERMISSION OF SOLVE IMG IS PROHIBITED.</small>		ITEM DESCRIPTION:		M1B18		1:2
TOOTH TYPE	STRAIGHT									REV
MAX RIM SPEED	12 M/S									-

9 8 7 6 5 4 3 2 1