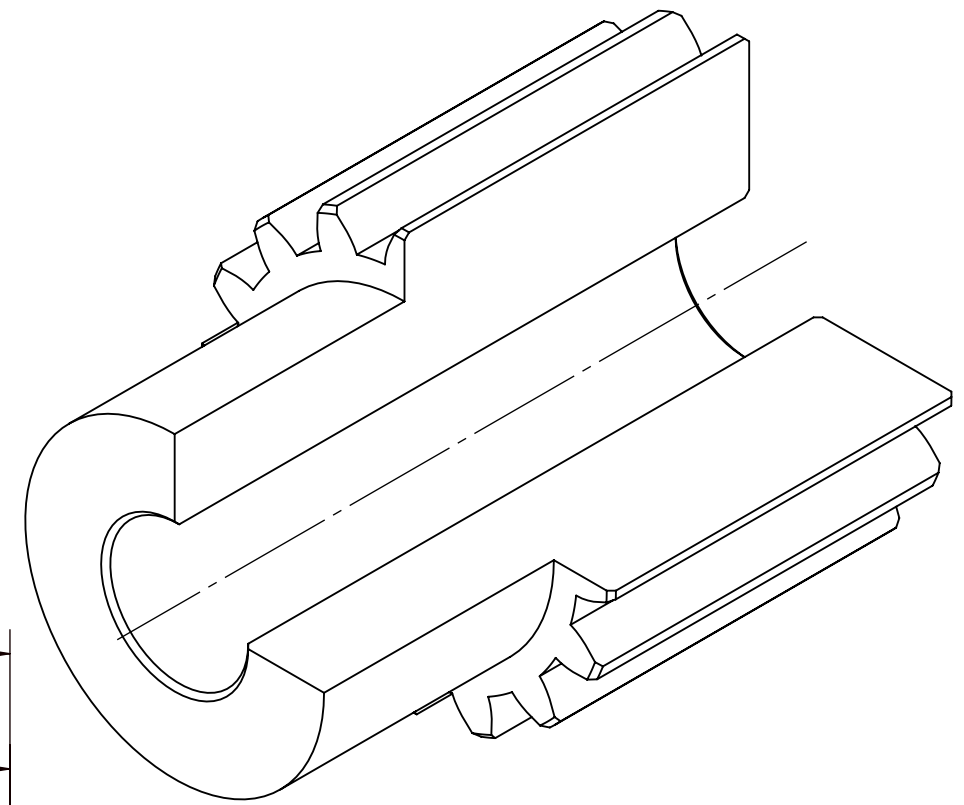
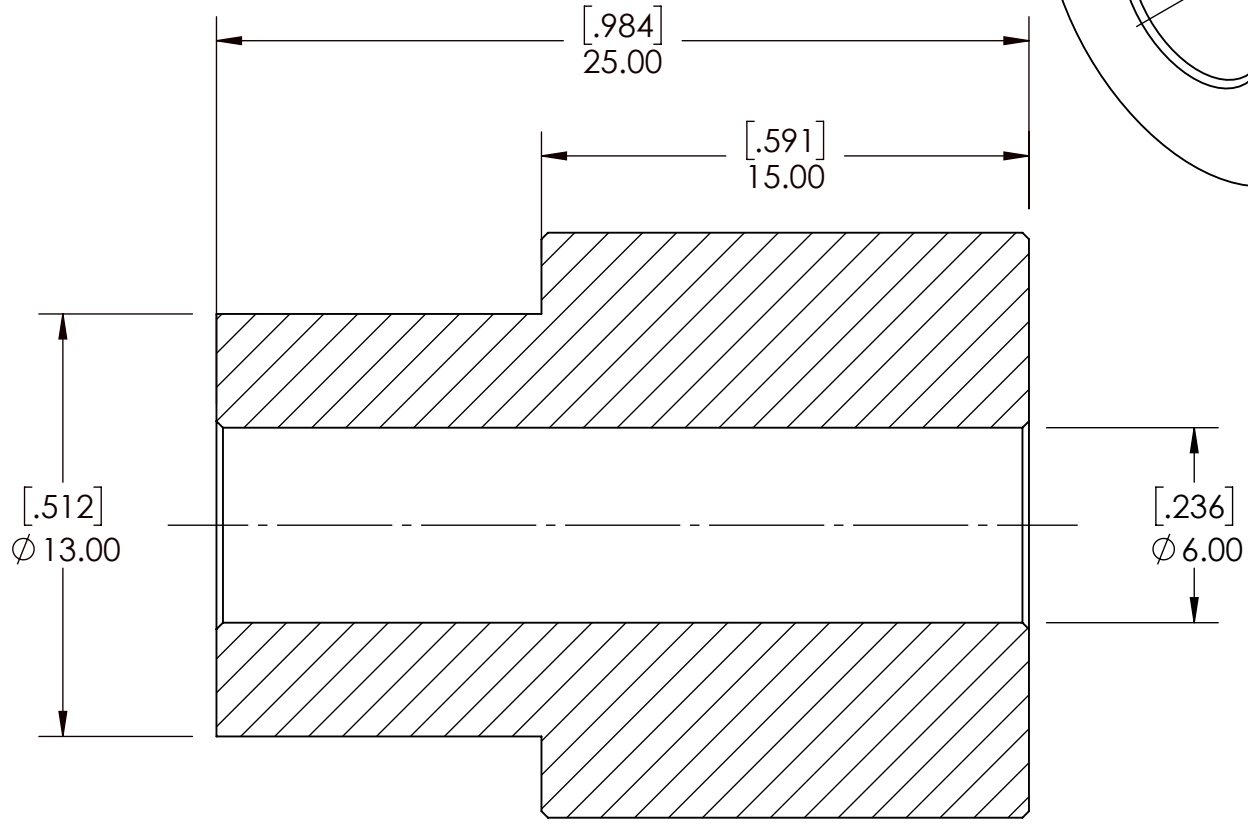
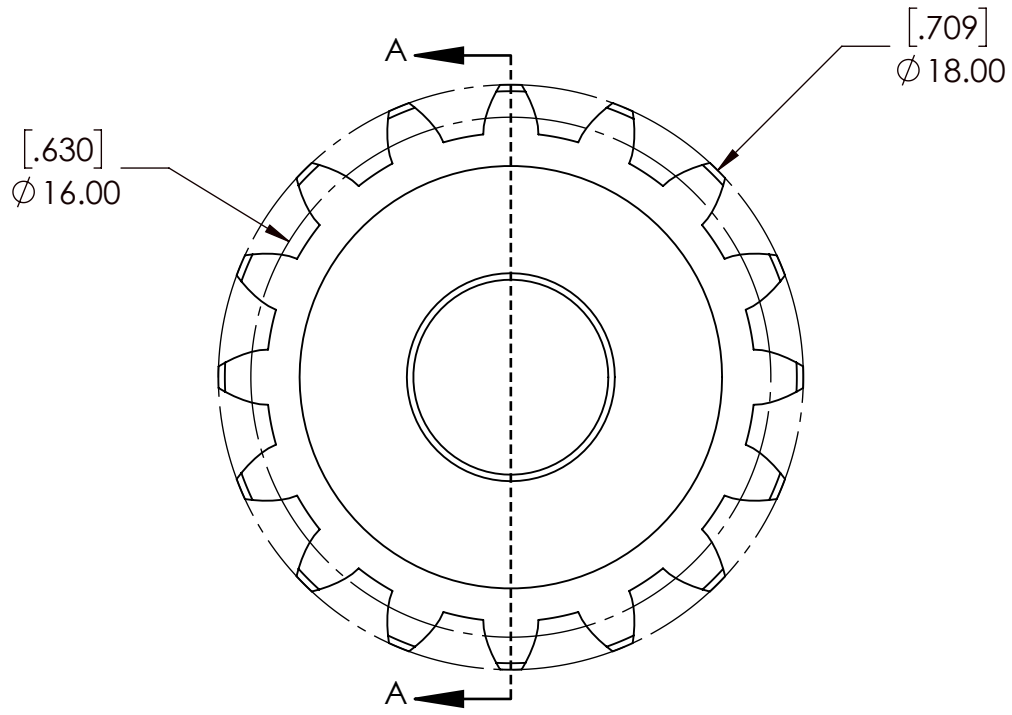


9 8 7 6 5 4 3 2 1

G
F
E
D
C
B
A

G
F
E
D
C
B
A



SECTION A-A

SPUR GEAR SPECIFICATIONS		WEIGHT		0.06 LBS	
UNITS	mm (INCH)	MATERIAL	STEEL		
MODULE	1	COATING	N/A		
PRESSURE ANGLE	20°	DRAWN	SEC	08/28/2025	
NUMBER OF TEETH	16	CHECKED	SEC	08/28/2025	
PITCH DIAMETER	16mm	APPROVED			
HUB TYPE	B	THIRD ANGLE PROJECTION	DATE		BY
MAX TORQUE (Nm)	0.53 Nm		REVISION DESCRIPTION		REV
TOOTH TYPE	STRAIGHT		ITEM DESCRIPTION:		SCALE
MAX RIM SPEED	12 M/S		M1B16		1:2
		DWG. NO.			REV
		<p>PROPRIETARY AND CONFIDENTIAL</p> <p>THE INFORMATION CONTAINED IN THIS DRAWING IS THE SOLE PROPERTY OF SOLVE IMG. ANY REPRODUCTION IN PART OR AS A WHOLE WITHOUT THE WRITTEN PERMISSION OF SOLVE IMG IS PROHIBITED.</p>			

9 8 7 6 5 4 3 2 1