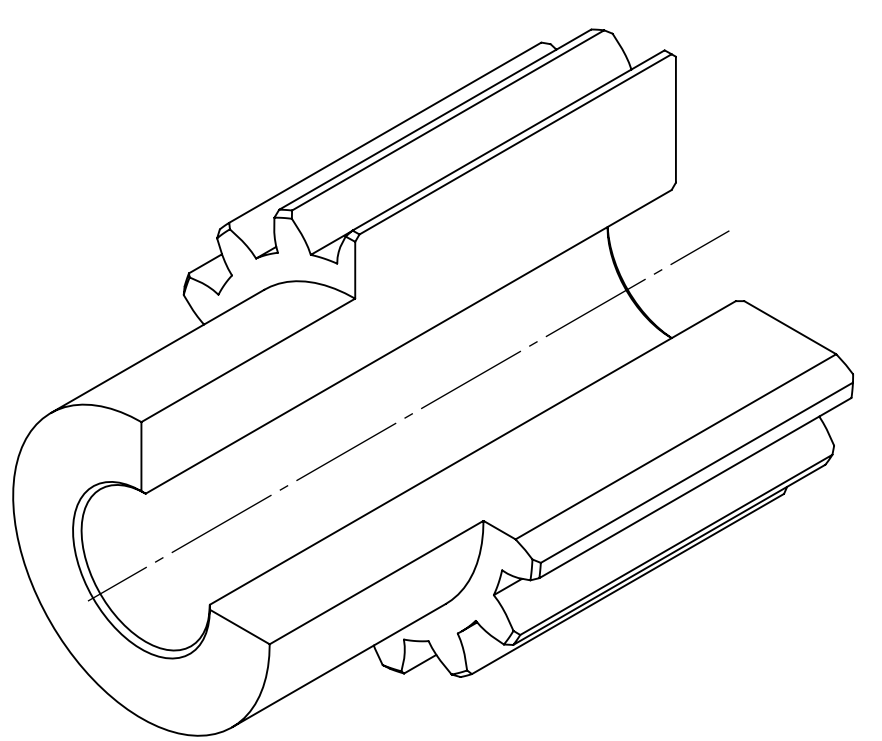
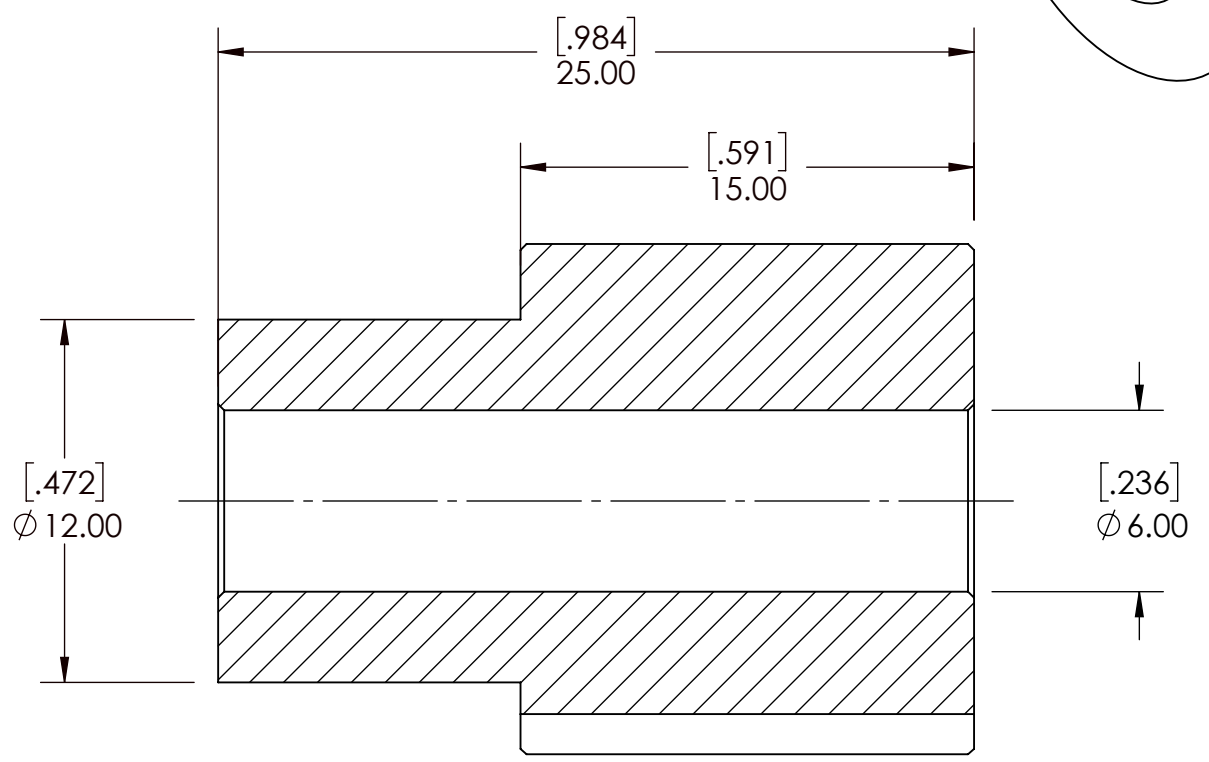
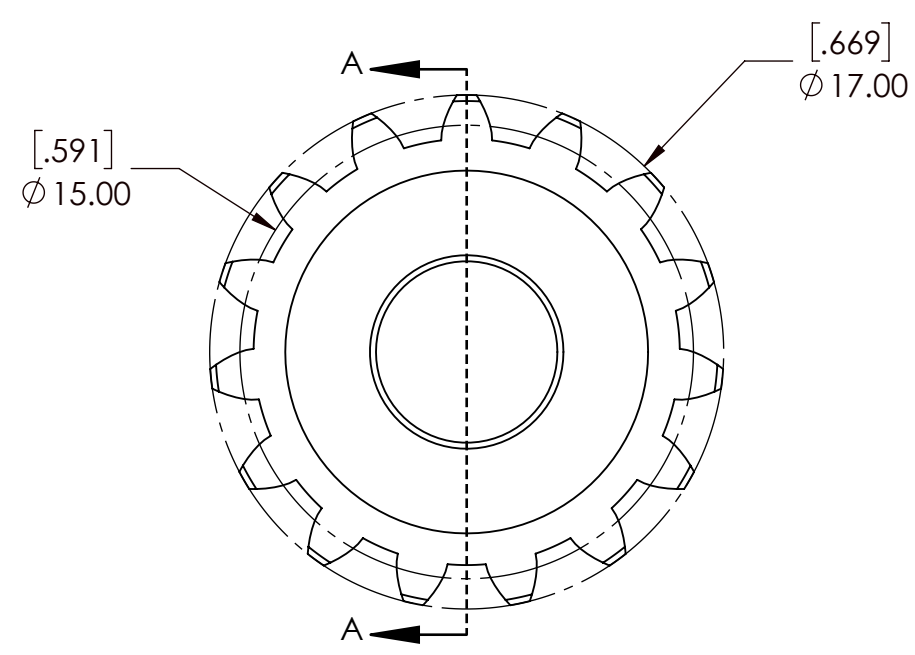


9 8 7 6 5 4 3 2 1

G
F
E
D
C
B
A

G
F
E
D
C
B
A



SECTION A-A

SPUR GEAR SPECIFICATIONS		WEIGHT		0.05 LBS					
UNITS	mm (INCH)	MATERIAL		STEEL					
MODULE	1	COATING		N/A					
PRESSURE ANGLE	20°	DRAWN		SEC	08/28/2025				
NUMBER OF TEETH	15	CHECKED		SEC	08/28/2025				
PITCH DIAMETER	15mm	APPROVED				DATE	BY	REVISION DESCRIPTION	
HUB TYPE	B					ITEM DESCRIPTION:			
MAX TORQUE (Nm)	0.49 Nm								
TOOTH TYPE	STRAIGHT	DWG. NO.		PROPRIETARY AND CONFIDENTIAL <small>THE INFORMATION CONTAINED IN THIS DRAWING IS THE SOLE PROPERTY OF SOLVE IMG. ANY REPRODUCTION IN PART OR AS A WHOLE WITHOUT THE WRITTEN PERMISSION OF SOLVE IMG IS PROHIBITED.</small>		M1B15		REV	SCALE
MAX RIM SPEED	12 M/S							-	1:2

9 8 7 6 5 4 3 2 1

A

A