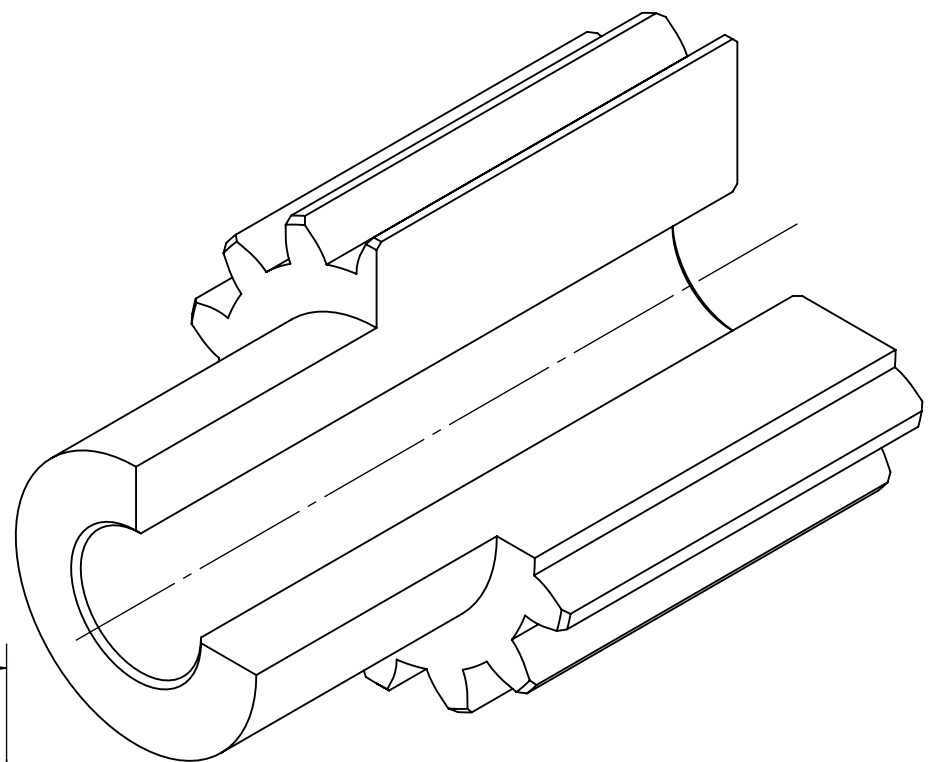
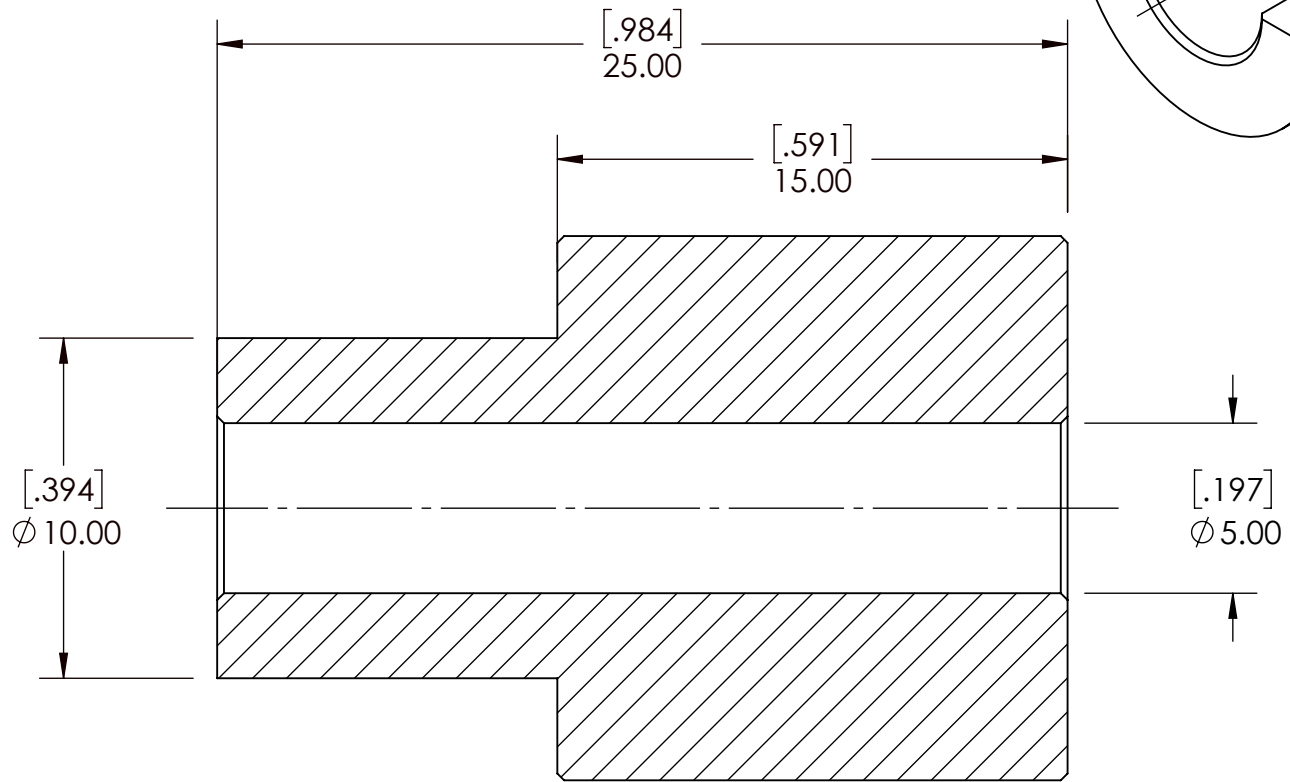
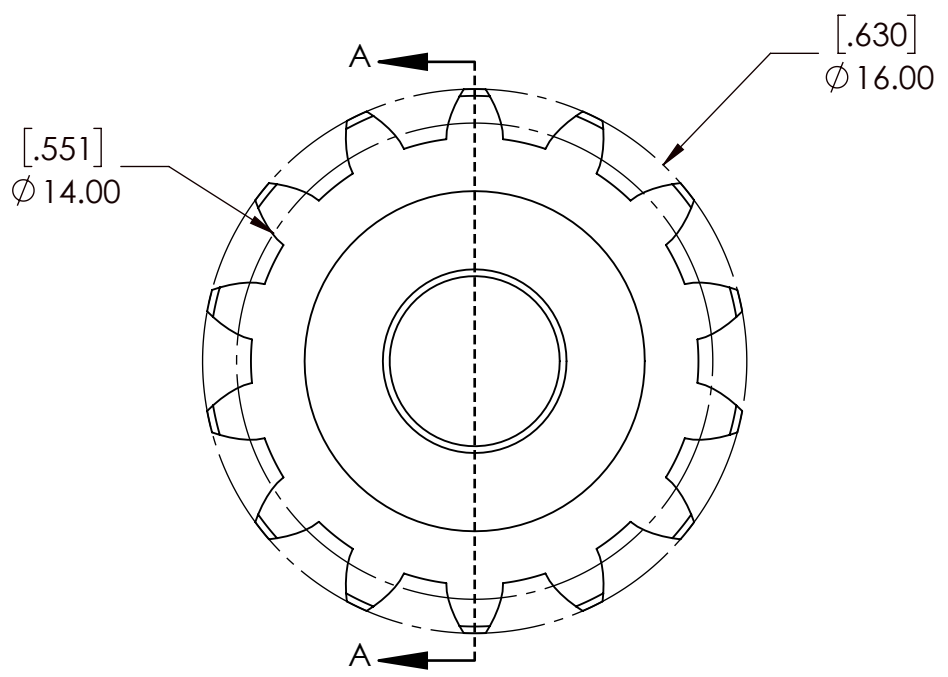


9 8 7 6 5 4 3 2 1

G
F
E
D
C
B
A

G
F
E
D
C
B
A



SECTION A-A

SPUR GEAR SPECIFICATIONS		WEIGHT		0.05 LBS					
UNITS	mm (INCH)			MATERIAL	STEEL				
MODULE	1			COATING	N/A				
PRESSURE ANGLE	20°		DRAWN	SEC	08/28/2025				
NUMBER OF TEETH	14		CHECKED	SEC	08/28/2025				
PITCH DIAMETER	14mm			APPROVED		DATE	BY	REVISION DESCRIPTION	
HUB TYPE	B								
MAX TORQUE (Nm)	0.45 Nm	DWG. NO.		PROPRIETARY AND CONFIDENTIAL <small>THE INFORMATION CONTAINED IN THIS DRAWING IS THE SOLE PROPERTY OF SOLVE IMG. ANY REPRODUCTION IN PART OR AS A WHOLE WITHOUT THE WRITTEN PERMISSION OF SOLVE IMG IS PROHIBITED.</small>		ITEM DESCRIPTION:		M1B14	
TOOTH TYPE	STRAIGHT								
MAX RIM SPEED	12 M/S							1:2	
								REV -	

9 8 7 6 5 4 3 2 1