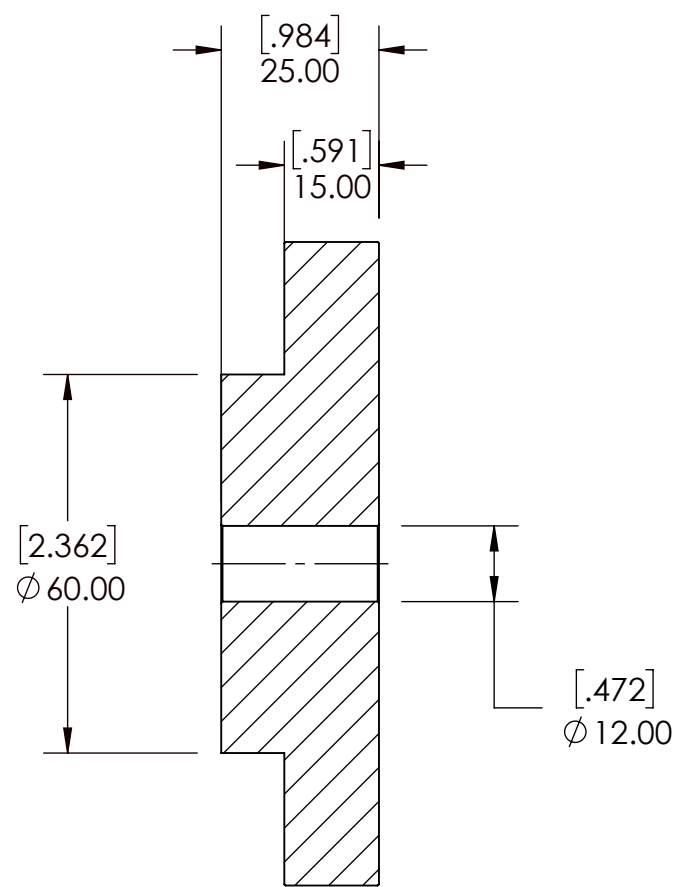
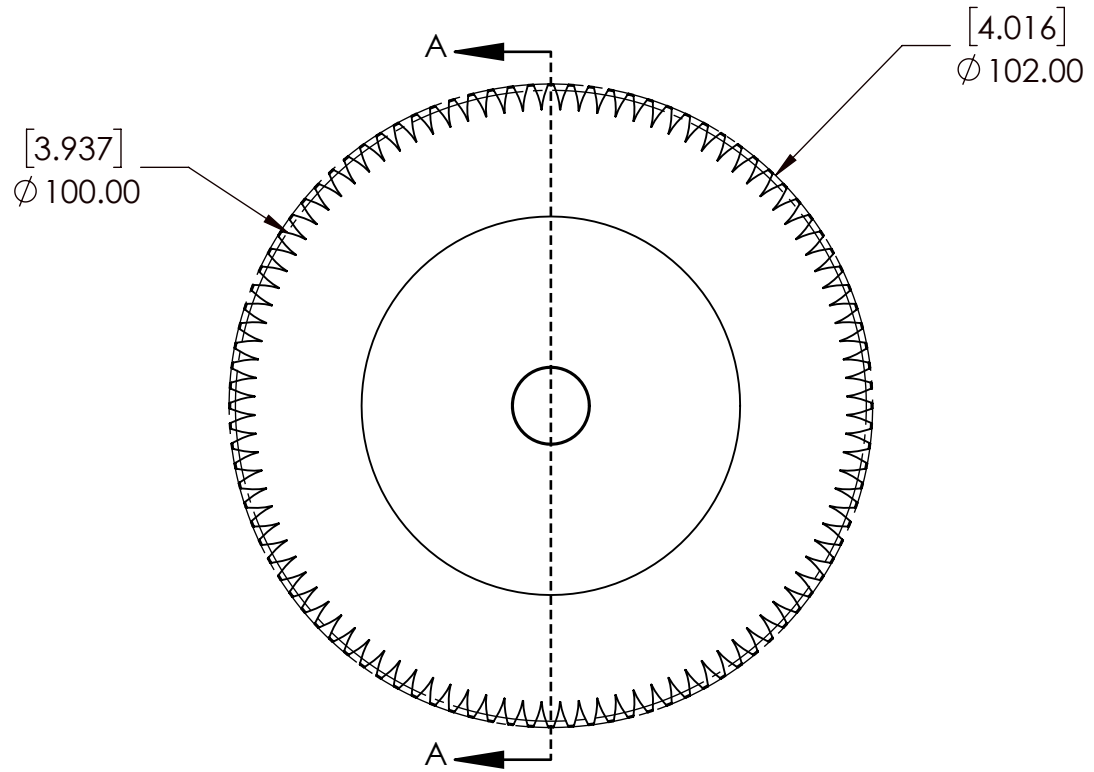
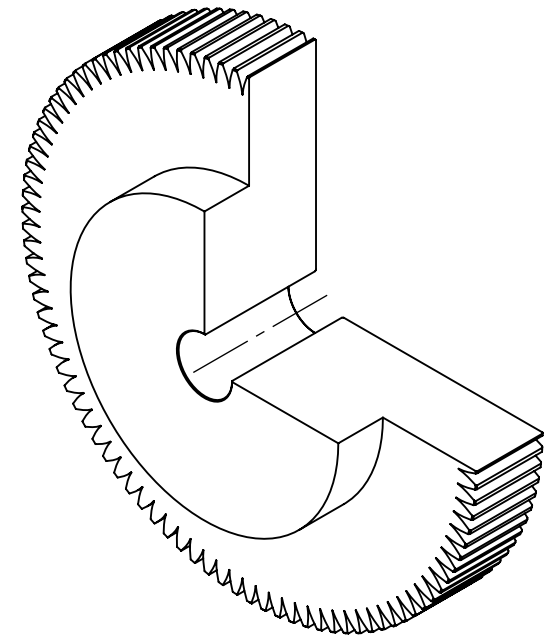


9 8 7 6 5 4 3 2 1

G
F
E
D
C
B
A



SECTION A-A

SPUR GEAR SPECIFICATIONS		WEIGHT		DATE		BY		REVISION DESCRIPTION		REV
UNITS	mm (INCH)	2.44 LBS								
MODULE	1	STEEL								
PRESSURE ANGLE	20°	N/A								
NUMBER OF TEETH	100	DRAWN	SEC	08/28/2025						
PITCH DIAMETER	100mm	CHECKED	SEC	08/28/2025						
HUB TYPE	B	APPROVED								
MAX TORQUE (Nm)	28.9 Nm	THIRD ANGLE PROJECTION								
TOOTH TYPE	STRAIGHT	DWG. NO.		ITEM DESCRIPTION:		M1B100				SCALE
MAX RIM SPEED	12 M/S	PTI		DATE		BY				1:1
		DWG. NO.		ITEM DESCRIPTION:		M1B100				REV
		PTI		DATE		BY				-
		DWG. NO.		ITEM DESCRIPTION:		M1B100				

9 8 7 6 5 4 3 2 1

G
F
E
D
C
B
A